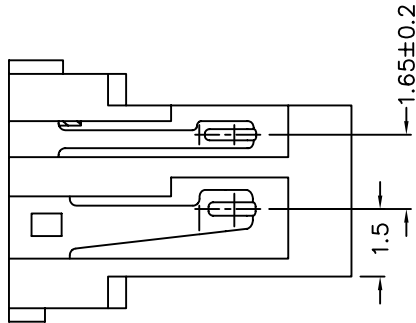
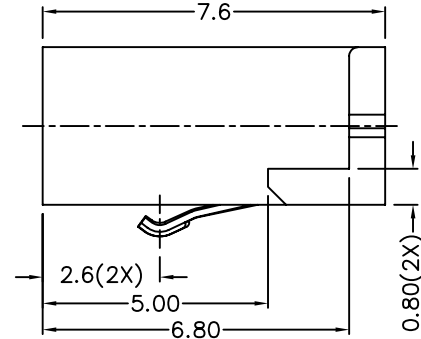
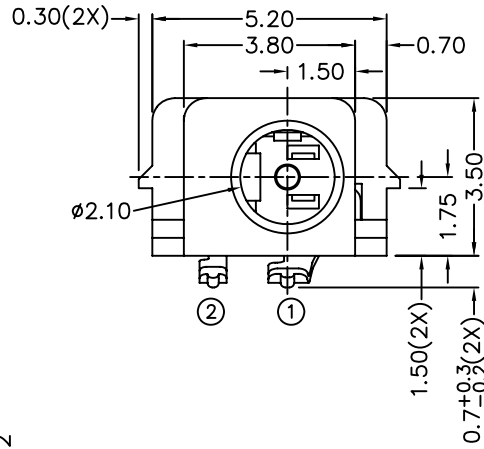
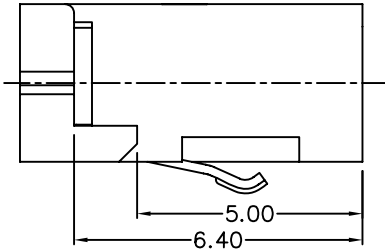
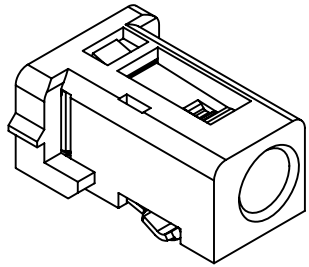


RoHS
Compatible

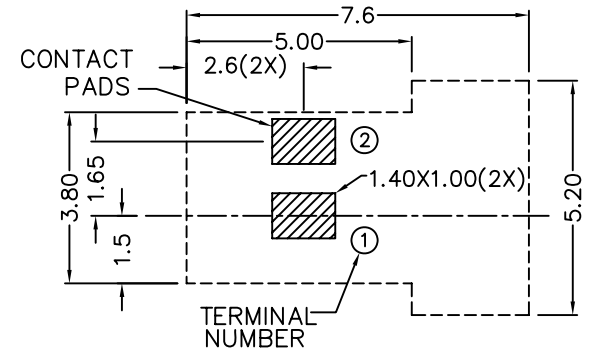
△				
△				
△				
△				
ZONE	REV	DESCRIPTION	DATE	APPD.



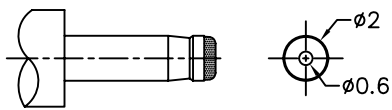
*** MATERIAL**

TERMINAL 1 : COPPER ALLOY
TERMINAL 2 : COPPER ALLOY
HOUSING : PA6T

MODEL NO.	DC-075
SCHEMATIC	1 2
CENTER PIN	∅0.5mm



RECOMMENDED
PCB LAYOUT



DC MATE PLUG

達立科技股份有限公司

Dawning Precision Co., Ltd.

TEL: 886-2-82271388 FAX: 886-2-82272198

DESIGN	Will	SCALE		
DRAWING	Will	UNIT	mm	
CHECK	Will	SIZE	A4: 210*297	
APPROVAL	Eric	VERSION	01	

TOLERANCE UNLESS OTHERWISE STATED(mm)	
less than 10	±0.2
10~30	±0.3
30~100	±0.5
ANGIE	±2°

PART NAME	DC POWER SOCKET
PART NO	DC-075
DRAWING NO	
DATE	2009/06/10

www.dawning2.com.tw