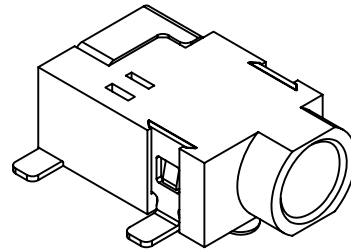
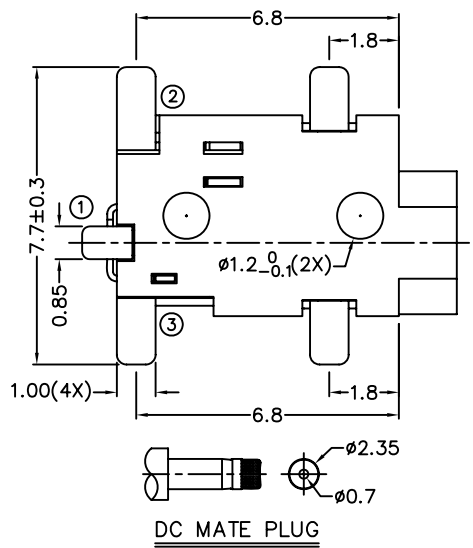
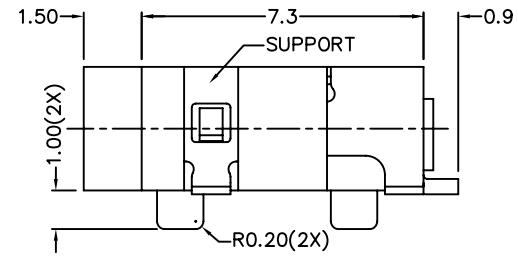
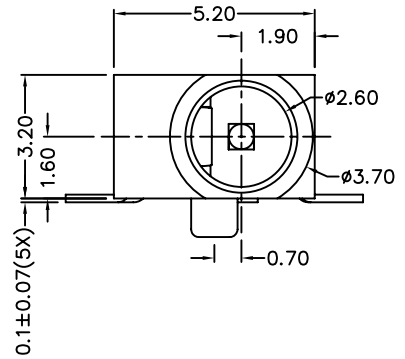
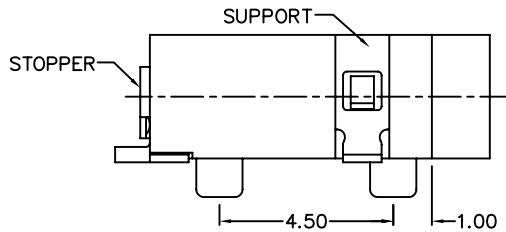


RoHS
Compatible

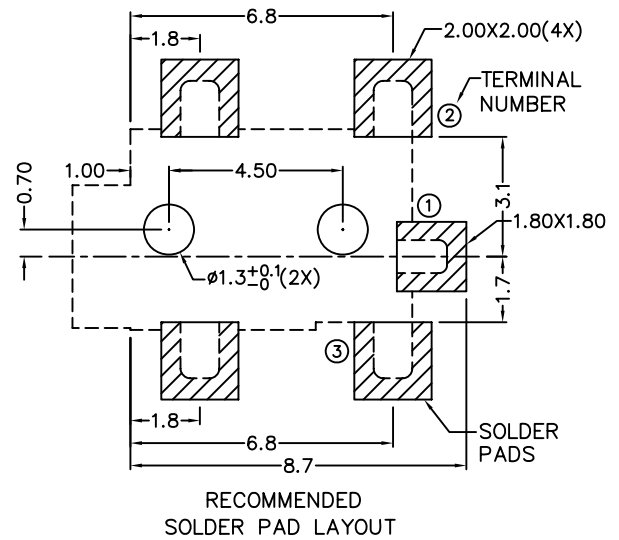


▲				
▲				
▲				
▲				
ZONE	REV	DESCRIPTION	DATE	APPD.



*** MATERIAL**
 TERMINAL 1 : BRASS
 TERMINAL 2 : COPPER ALLOY
 TERMINAL 3 : BRASS
 SUPPORT : BRASS
 STOPPER : STAINLESS STEEL
 HOUSING : PA6T

MODEL NO.	DC-065D
SCHMATIC	
CENTER PIN	φ0.65mm



達立科技股份有限公司
Dawning Precision Co., Ltd.
 TEL: 886-2-82271388 FAX: 886-2-82272198

DESIGN	Will	SCALE		
DRAWING	Will	UNIT	mm	
CHECK	Will	SIZE	A4: 210*297	
APPROVAL	Eric	VERSION	01	

TOLERANCE UNLESS OTHERWISE STATED(mm)	PART NAME	DC POWER SOCKET
less than 10 — ±0.2	PART NO	DC-065D
10~30 — ±0.3	DRAWING NO	
30~100 — ±0.5	DATE	2009/06/08
ANGIE — ±2°		

www.dawning2.com.tw