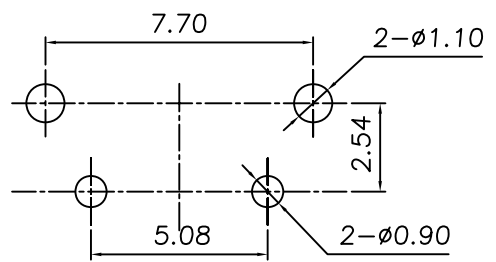


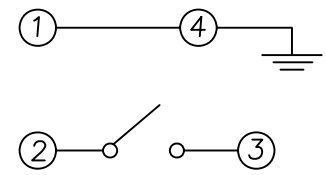
RoHS
Compatible

▲				
▲				
▲				
▲				
ZONE	REV	DESCRIPTION	DATE	APPD.

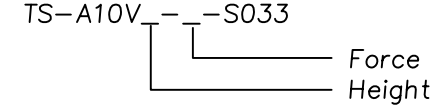
P.C.B Mounting pattern Dimension



Circuit Diagram



Order Information:



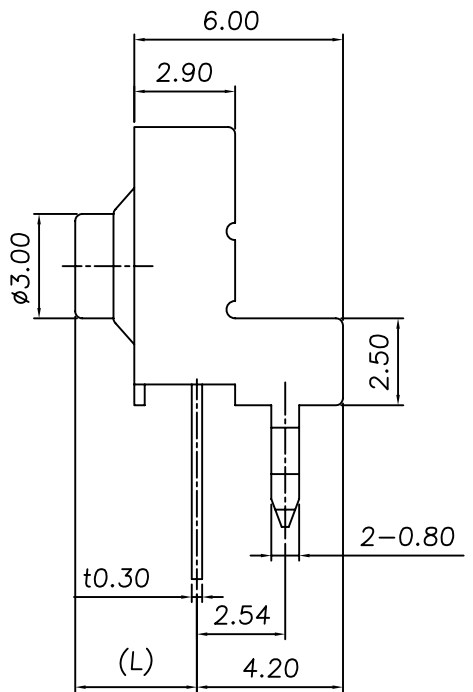
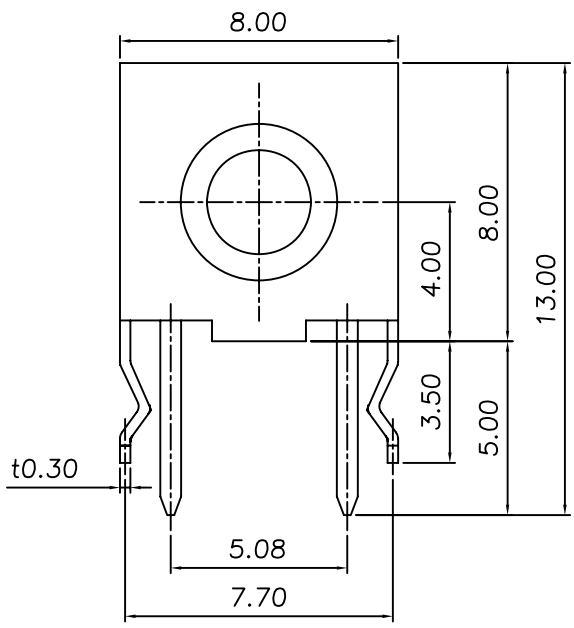
Knob Height

Model No.	L(mm)
TS-A10VA	3.5
TS-A10VB	4.0
TS-A10VC	5.7
TS-A10VD	8.7

Specifications

1. Rating : DC 50V, 50mA
2. Contact resistance : 100mΩ Max.
3. Travel : 0.5±0.2mm
4. Bounce : 10m sec Max.
- 5.

Model#	Operating Force	Life Cycles
TS-A10V-1	130±50gf	80,000 Cycles
TS-A10V-2	160±50gf	80,000 Cycles
TS-A10V-3	300±50gf	50,000 Cycles



達立科技股份有限公司
Dawning Precision Co., Ltd.
TEL: 886-2-82271388 FAX: 886-2-82272198

DESIGN	Will	SCALE		
DRAWING	Will	UNIT	mm	
CHECK	Will	SIZE	A4: 210*297	
APPROVAL	Eric	VERSION	01	

TOLERANCE UNLESS OTHERWISE STATED(mm)	PART NAME	TACT SWITCH
less than 10 — ±0.3	PART NO	TS-A10V SERIES
10~30 — ±0.4	DRAWING NO	
30~100 — ±0.5	DATE	2008/01/11
ANGIE — ±2°		

www.dawning2.com.tw