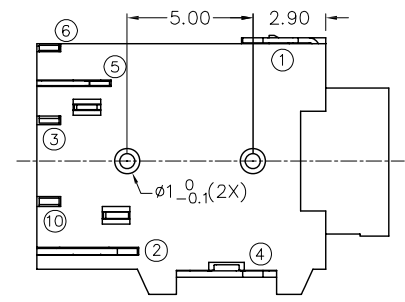
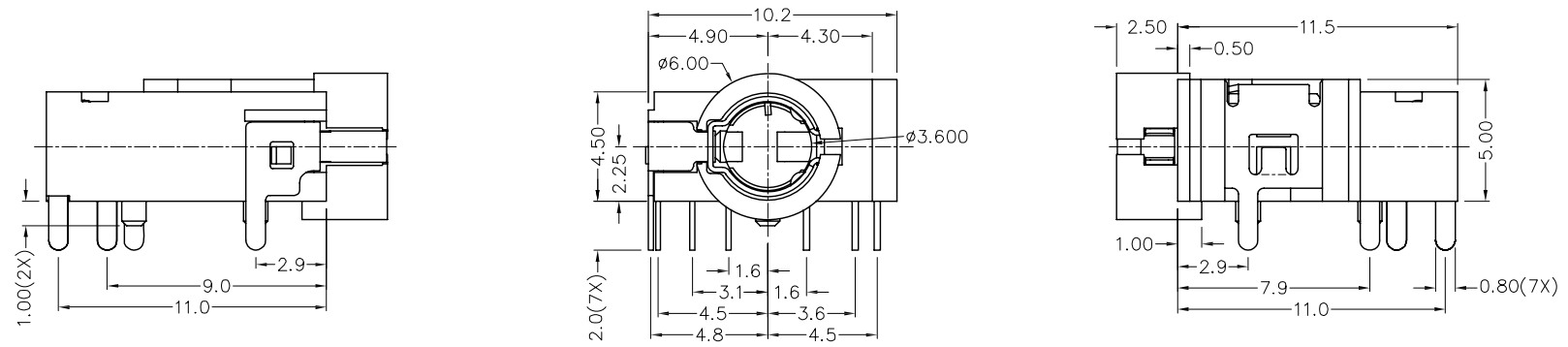


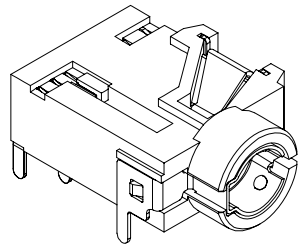
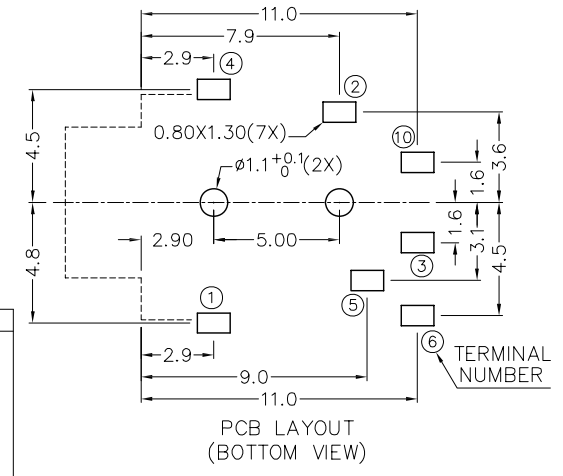
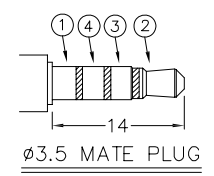
**RoHS**  
Compatible

▲				
▲				
▲				
▲				
ZONE	REV	DESCRIPTION	DATE	APPD.

發行  
2009.12.31  
達立



**\* MATERIAL**  
 TERMINAL 1 : COPPER ALLOY  
 TERMINAL 2 : COPPER ALLOY  
 TERMINAL 3 : COPPER ALLOY  
 TERMINAL 4 : COPPER ALLOY  
 TERMINAL 5 : COPPER ALLOY  
 TERMINAL 6 : COPPER ALLOY  
 TERMINAL 10 : BRASS  
 HOUSING : PA66



MODEL NO.	PJ-3997	PJ-3996	PJ-3995	PJ-3994
SCHEMATIC				

**達立科技股份有限公司**  
**Dawning Precision Co., Ltd.**  
 TEL: 886-2-82271388 FAX: 886-2-82272198

DESIGN	Will	SCALE			TOLERANCE UNLESS OTHERWISE STATED(mm)
DRAWING	Will	UNIT	mm		less than 10 $\pm 0.2$
CHECK	Will	SIZE	A4: 210*297		10~30 $\pm 0.3$
APPROVAL	Eric	VERSION	01		30~100 $\pm 0.5$
					ANGIE $\pm 2^\circ$

PART NAME	PHONE JACK
PART NO	PJ-399 SERIES
DRAWING NO	
DATE	2009/12/01