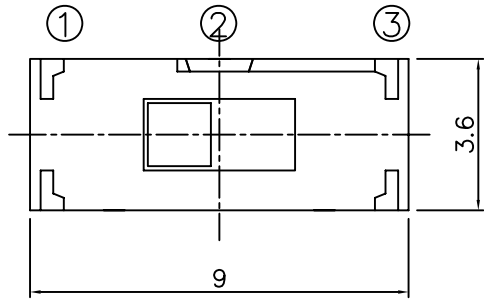
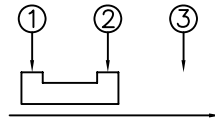


RoHS
Compatible

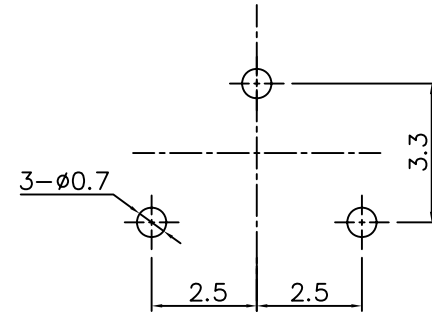
▲				
▲				
▲				
▲				
ZONE	REV	DESCRIPTION	DATE	APPD.



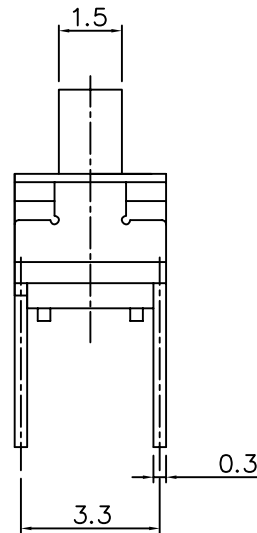
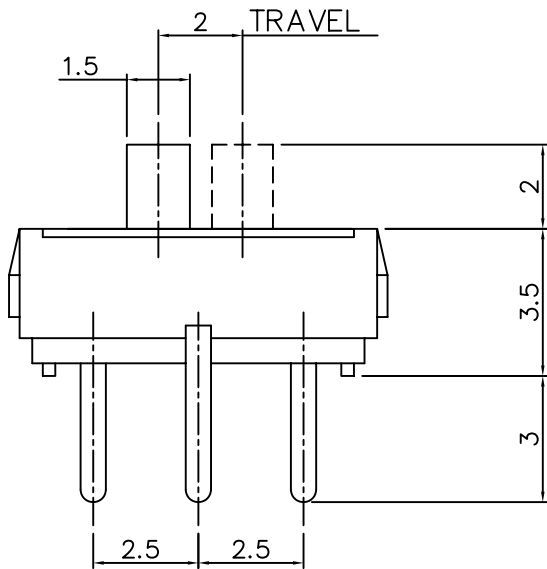
Circuit Diagram



P.C.B Mounting pattern Dimension



Model#	L(mm)
B35	2.0
B35A	4.0



Specifications

1. Rating : DC 6V, 0.3A
2. Circuit : 1C-2P
3. Timing : non shorting
4. Travel : 2.0 mm
5. Operating force : 200±100gf
6. Operating life : 10,000 cycles

達立科技股份有限公司

Dawning Precision Co., Ltd.

TEL: 886-2-82271388 FAX: 886-2-82272198

DESIGN	Will	SCALE			TOLERANCE UNLESS OTHERWISE STATED(mm)	PART NAME	SILDE SWITCH
DRAWING	Will	UNIT	mm		less than 10	PART NO	SS-B35
CHECK	Will	SIZE	A4: 210*297		10~30	DRAWING NO	
APPROVAL	Eric	VERSION	01		30~100	DATE	2009/11/10
					ANGIE		
