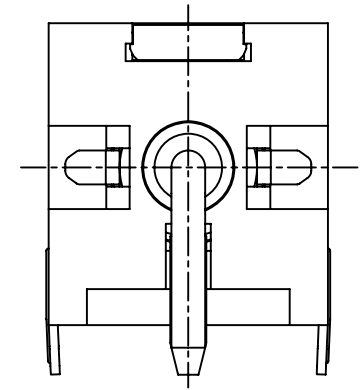
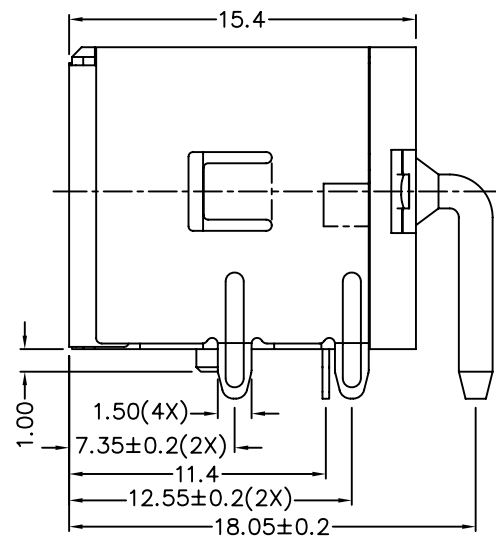
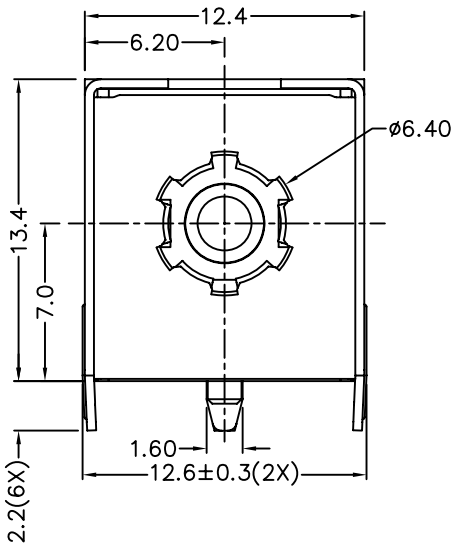
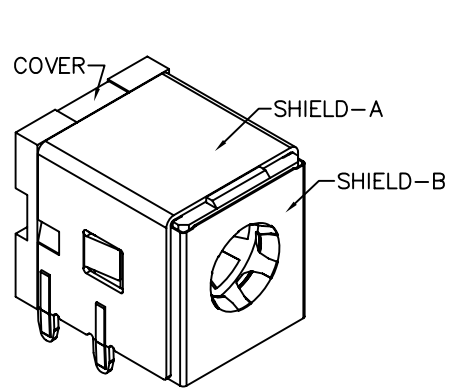


**RoHS**  
**Compatible**

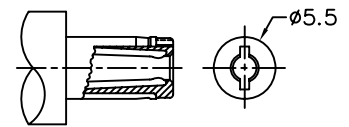
△				
△				
△				
△				
ZONE	REV	DESCRIPTION	DATE	APPD.



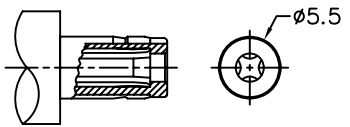
**\*MATERIAL**

- TERMINAL 1 : BRASS
- TERMINAL 2 : COPPER ALLOY
- STOPPER : C.R.STEEL
- SHIELD-A : C.R.STEEL
- SHIELD-B : STAINLESS STEEL
- HOUSING : PA6T
- COVER : PA6T

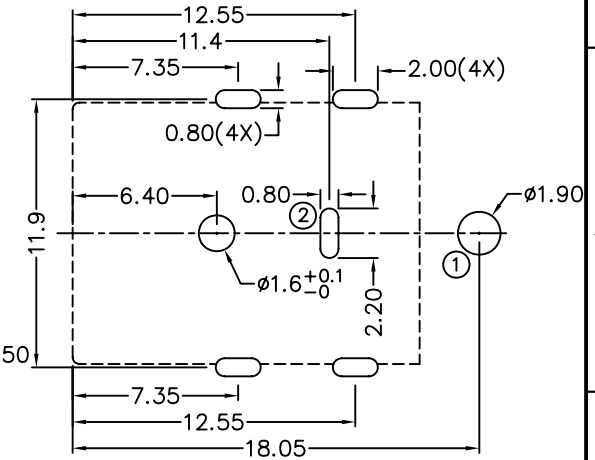
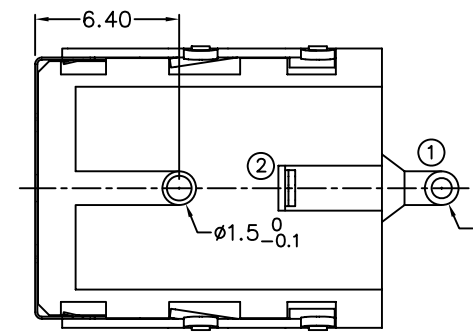
MODEL NO.	DC-079HS
SCHEMATIC	
CENTER PIN	Ø2.5mm



**DC MATE PLUG**  
RATING: DC 20V 7A



**DC MATE PLUG**  
RATING: DC 20V 10A



**PCB LAYOUT**  
(TOP VIEW)

**達立科技股份有限公司**  
**Dawning Precision Co., Ltd.**  
TEL: 886-2-82271388 FAX: 886-2-82272198

DESIGN	Will	SCALE		
DRAWING	Will	UNIT	mm	
CHECK	Will	SIZE	A4: 210*297	
APPROVAL	Eric	VERSION	01	

TOLERANCE UNLESS OTHERWISE STATED(mm)
less than 10 — ±0.2
10~30 — ±0.3
30~100 — ±0.5
ANGIE — ±2°

PART NAME	DC POWER SOCKET
PART NO	DC-079HS
DRAWING NO	
DATE	2009/09/22