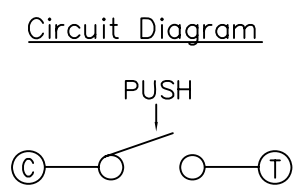
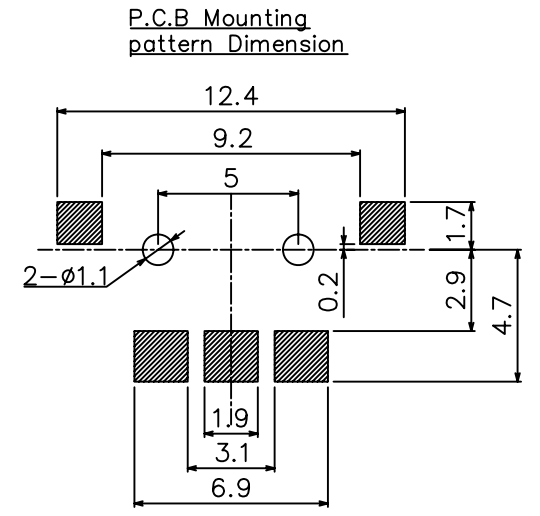
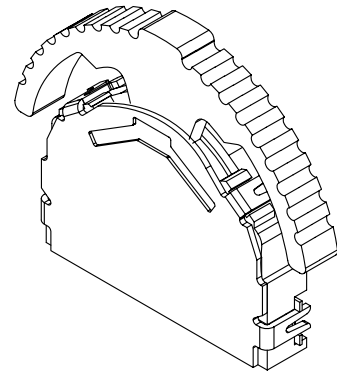
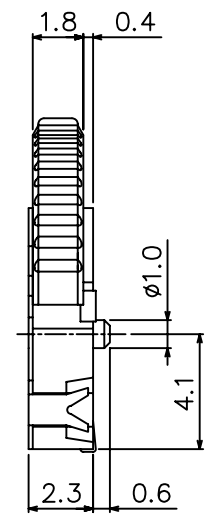
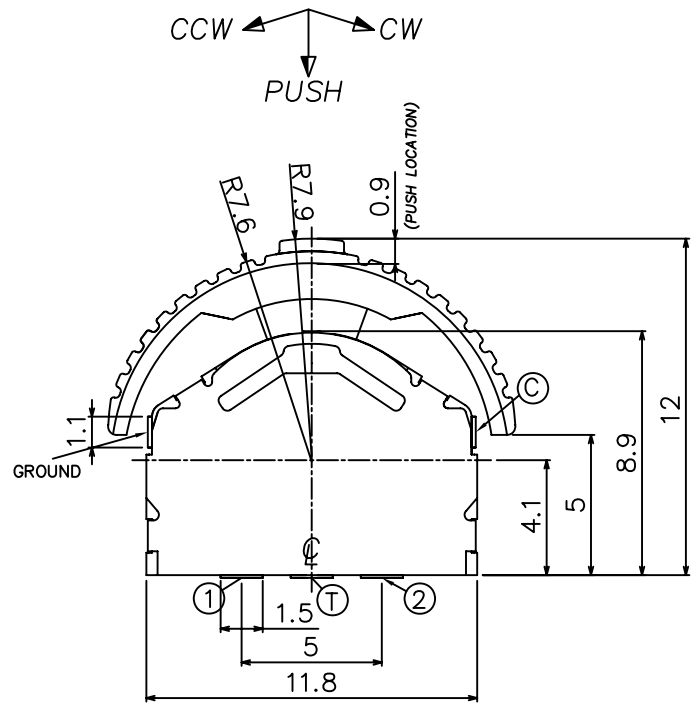


RoHS
Compatible

△				
△				
△				
△				
ZONE	REV	DESCRIPTION	DATE	APPD.



Thin type

Code Table

TER	ANG.	(25°) (18°)	(18°) (25°)
①		ON	
②			ON
T		ON	ON

0° (ON)

CCW ← → CW

SPECIFICATIONS

1. Rating MAX : DC 5V 10mA
2. Output Voltage : 1V Min at 5V DC 1mA
(Resistive Load)
3. Insulation Resistance : 100mΩ min 100V DC
4. Robustness of Actuator : 510gf for 1min
5. Operating Life : 100,000 Cycles
6. Operating Force : Lever Portion : 70gf
Push Portion : 200gf
7. With location Lug

達立科技股份有限公司
Dawning Precision Co., Ltd.
TEL: 886-2-82271388 FAX: 886-2-82272198

DESIGN	Will	SCALE		
DRAWING	Will	UNIT	mm	
CHECK	Will	SIZE	A4: 210*297	
APPROVAL	Eric	VERSION	01	

TOLERANCE UNLESS OTHERWISE STATED(mm)	PART NAME	PUSH & LEVER SW
less than 10 — ±0.2	PART NO	K01B-S033
10~30 — ±0.3	DRAWING NO	
30~100 — ±0.5	DATE	2009/07/01
ANGIE — ±2°		