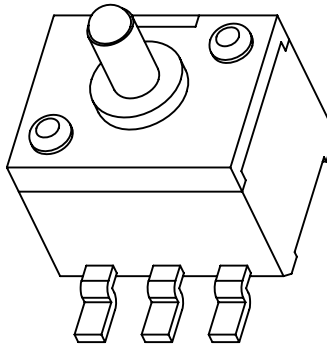
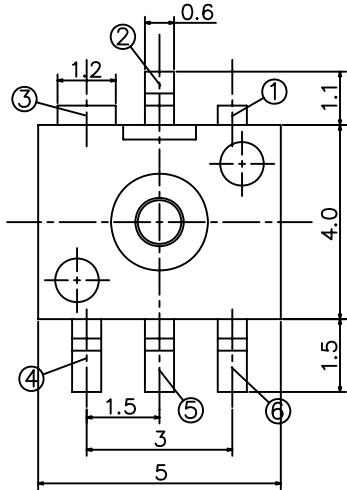
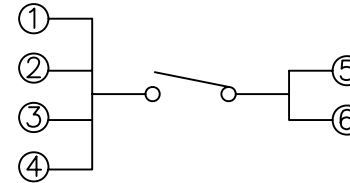


**RoHS**  
**Compatible**

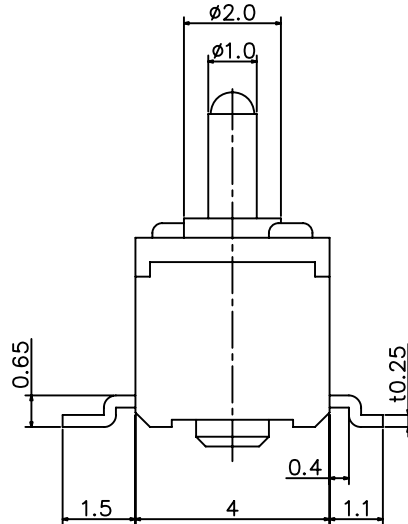
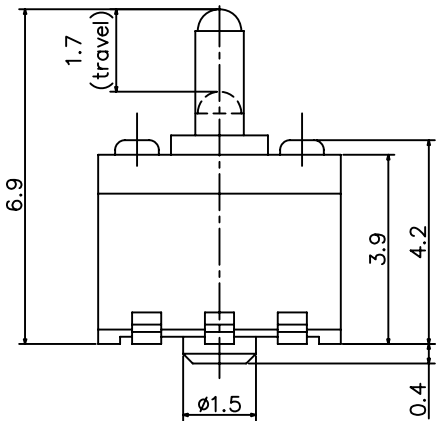
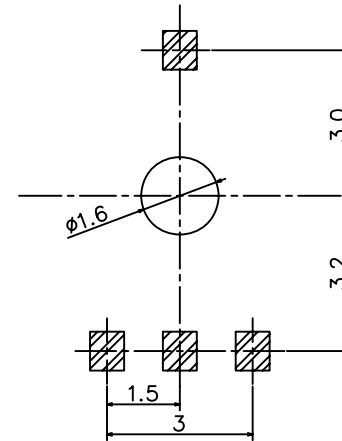
△				
△				
△				
△				
ZONE	REV	DESCRIPTION	DATE	APPD.



Circuit Diagram



P.C.B Mounting  
pattern Dimension



5	CONTACT	PBS	1	Ag CLAD
4	SPRING	PBS	1	Ag PLATED
3	CASE	NYLON	1	BLACK
2	COVER	NYLON	1	BLACK
1	KNOB	NYLON	1	BLACK
NO	PART NAME	MATERIAL	Q"TY	FINISHING

**達立科技股份有限公司**

**Dawning Precision Co., Ltd.**

TEL: 886-2-82271388 FAX: 886-2-82272198

DESIGN	Will	SCALE	
DRAWING	Will	UNIT	mm
CHECK	Will	SIZE	A4: 210*297
APPROVAL	Eric	VERSION	01

TOLERANCE UNLESS OTHERWISE STATED(mm)
less than 10 — ±0.2
10~30 — ±0.3
30~100 — ±0.5
ANGIE — ±2'

PART NAME	DETECTOR SWITCH
PART NO	DS-T40-Z
DRAWING NO	
DATE	2010/02/02