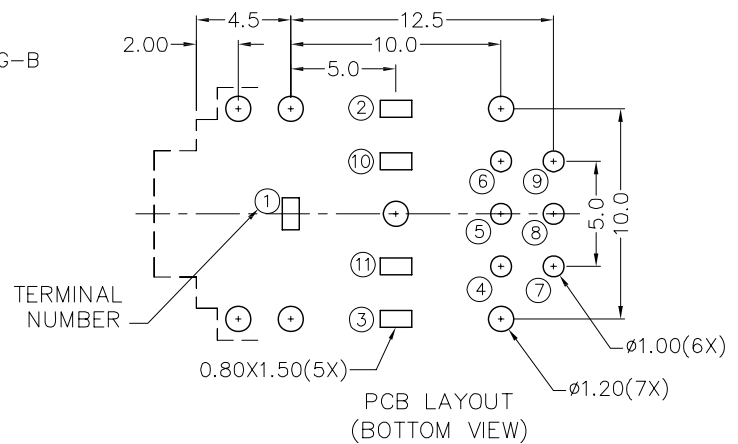
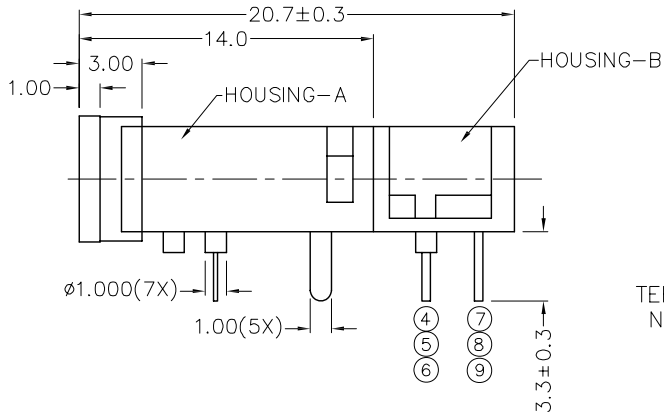
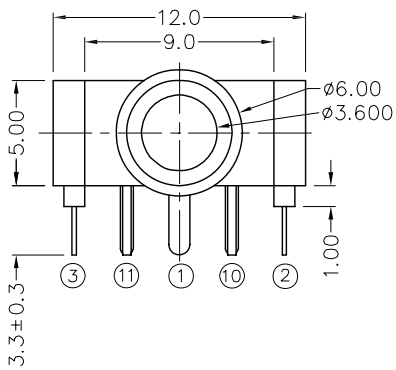
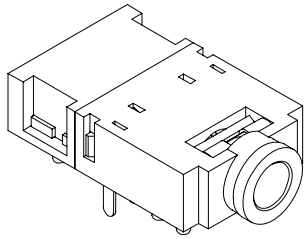
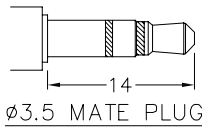


**RoHS  
Compatible**

▲				
▲				
▲				
▲				
ZONE	REV	DESCRIPTION	DATE	APPD.



MODEL NO.	PJ-3515-22	PJ-3514A-22	PJ-3514B-22	PJ-3513-22	PJ-3513A-22	PJ-3512-22
SCHEMATIC						



**\*MATERIAL**

- TERMINAL 1 : COPPER ALLOY
- TERMINAL 2 : COPPER ALLOY
- TERMINAL 3 : COPPER ALLOY
- TERMINAL 10 : BRASS
- TERMINAL 11 : BRASS
- TERMINAL 4,5,6,7,8,9 : BRASS
- BUSHING : BRASS
- HOUSING-A : PBT
- HOUSING-B : PBT
- INSULATOR : PBT
- PIN BOARD : PBT
- CONTACT CLIP : C5210R-EH AG CLAD

**達立科技股份有限公司**

**Dawning Precision Co., Ltd.**

TEL: 886-2-82271388 FAX: 886-2-82272198

DESIGN	Will	SCALE		TOLERANCE UNLESS OTHERWISE STATED(mm)
DRAWING	Will	UNIT	mm	less than 10 — ±0.2
CHECK	Will	SIZE	A4: 210*297	10~30 — ±0.3
APPROVAL	Eric	VERSION	01	30~100 — ±0.5
				ANGIE — ±2°

PART NAME	PHONE JACK
PART NO	PJ-351-22 SERIES
DRAWING NO	
DATE	2009/11/24

www.dawning2.com.tw