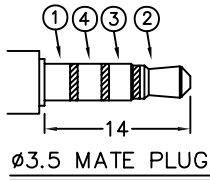
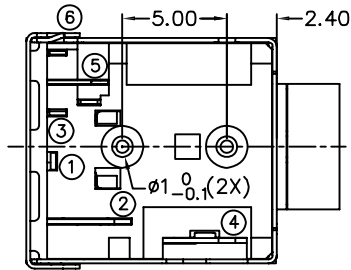
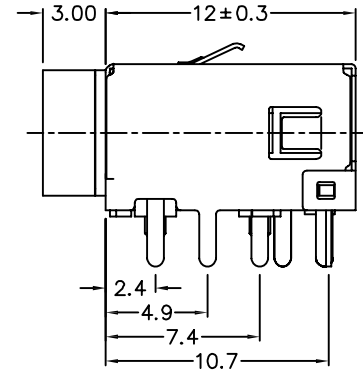
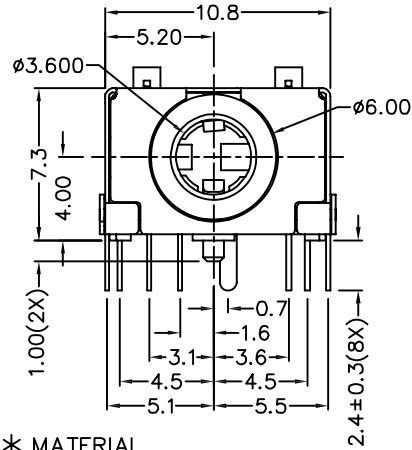
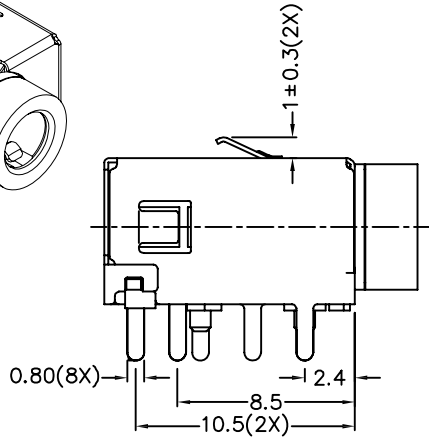
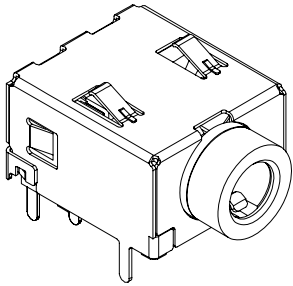


**RoHS**  
**Compatible**

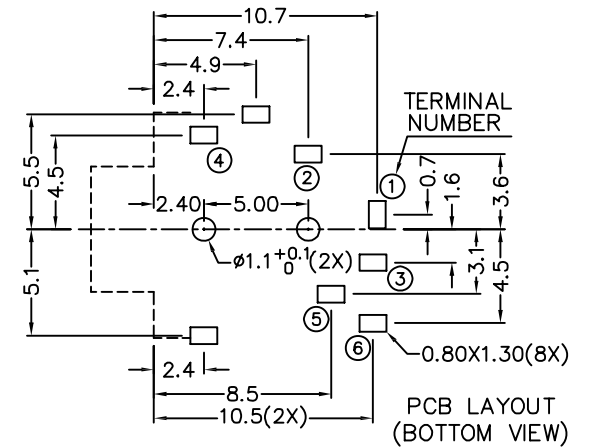
△				
△				
△				
△				
ZONE	REV	DESCRIPTION	DATE	APPD.



**\* MATERIAL**

- TERMINAL 1 : COPPER ALLOY
- TERMINAL 2 : COPPER ALLOY
- TERMINAL 3 : COPPER ALLOY
- TERMINAL 4 : COPPER ALLOY
- TERMINAL 5 : COPPER ALLOY
- TERMINAL 6 : COPPER ALLOY
- SHIELD : COPPER ALLOY
- BUSHING : BRASS
- HOUSING : PA66

MODEL NO.	PJ-5026S	PJ-5024S
SCHMATIC		



**達立科技股份有限公司**

**Dawning Precision Co., Ltd.**

TEL: 886-2-82271388 FAX: 886-2-82272198

DESIGN	Will	SCALE		
DRAWING	Will	UNIT	mm	
CHECK	Will	SIZE	A4: 210*297	
APPROVAL	Eric	VERSION	01	

TOLERANCE UNLESS OTHERWISE STATED(mm)	
less than 10	±0.2
10~30	±0.3
30~100	±0.5
ANGIE	±2°

PART NAME	PHONE JACK
PART NO	PJ-502S SERIES
DRAWING NO	
DATE	2009/12/01