

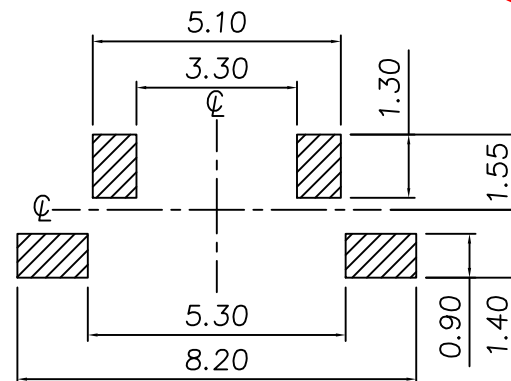
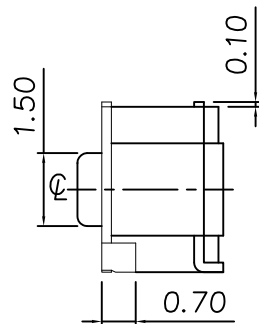
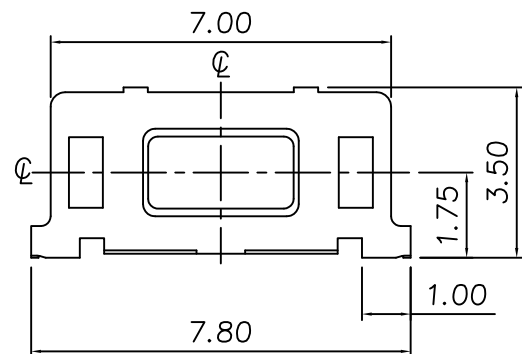
▲				
▲				
▲				
▲				
ZONE	REV	DESCRIPTION	DATE	APPD.

Order Information:  
 TS-A12-2-S055  
 Force  
 Model Type  
 Tact Switch

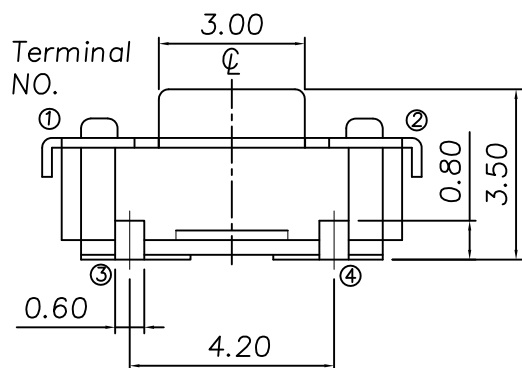
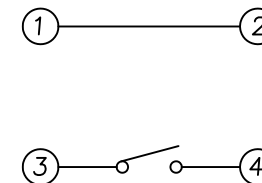
P.C.B Mounting  
 Pattern Dimension

發行  
 2013.06.28  
 達立

**RoHS**  
**Compatible**

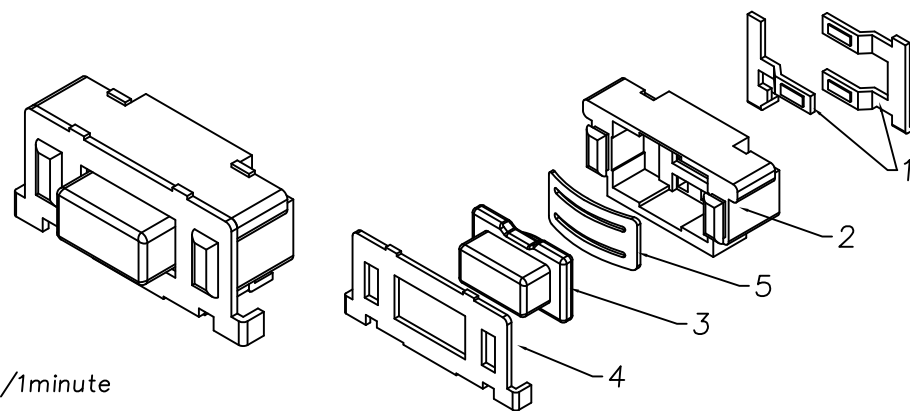


Circuit diagram



Specification

1. Rating : DC 12V 50mA Max.
2. Travel : 0.25±0.1mm.
3. Contact resistance : 100mΩ Max.
4. Insulation resistance : 100MΩ Min.
5. Voltage proof : 250V AC(50~60Hz)/1minute
4. Operating force : 160±50gf.
5. Operating life : 50,000 cycles Min.



5	Contact	Stainless Steel	1	Ag Clad 0.15μm Min.
4	Cover	SPTe	1	Sn Plated 2.5μm Min.
3	Knob	PA46 GF30%	1	Black(Natural)
2	Case	PA46 GF30%	1	White(Natural)
1	Terminal	Brass	2	Ag Plated 0.5μm Min.
No.	Part Name	Material	Q'ty	Remark

達立科技股份有限公司

Dawning Precision Co., Ltd.  
 TEL: 886-2-82271388 FAX: 886-2-82272198

DESIGN	Frank	SCALE		
DRAWING	Frank	UNIT	mm	
CHECK	Frank	SIZE	A4: 210*297	
APPROVAL	Eric	VERSION	01	

TOLERANCE UNLESS OTHERWISE STATED(mm)	PART NAME	TACT SWITCH
less than 10 — ±0.2	PART NO	TS-A12-2-S055
10~30 — ±0.3	DRAWING NO	
30~100 — ±0.5	DATE	2013/06/28
ANGIE — ±2'		