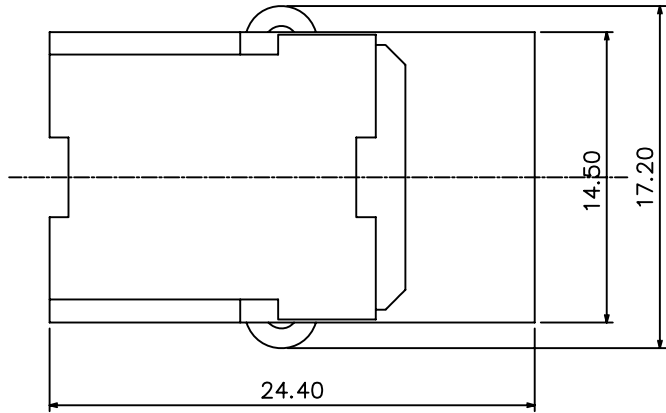
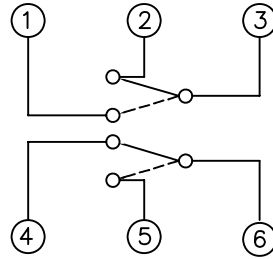


RoHS
Compatible

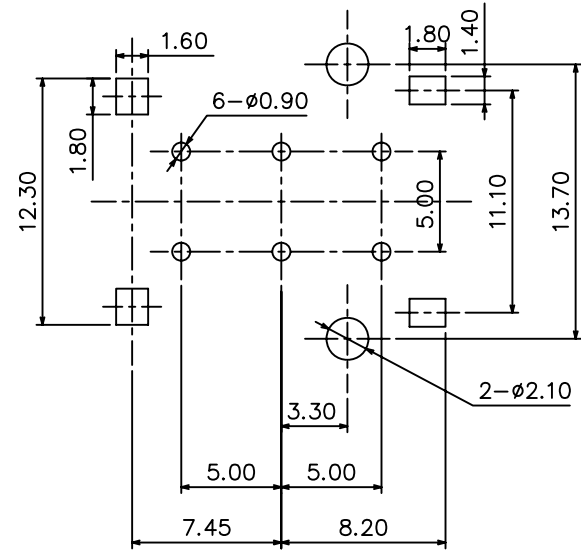
▲				
▲				
▲				
▲				
ZONE	REV	DESCRIPTION	DATE	APPD.



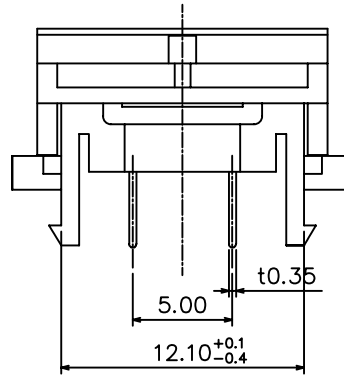
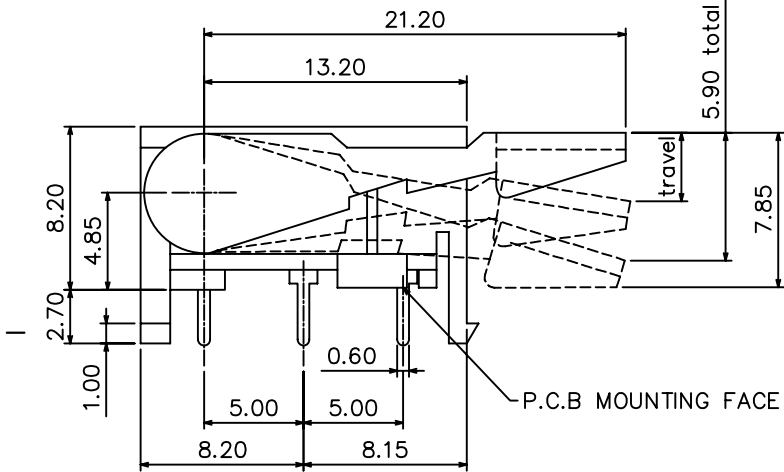
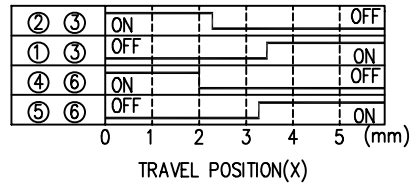
Circuit diagram



P.C.B Mounting pattern Dimension



TIME LAG DIAGRAM (NON-SHORTING)



Specification

1. Rating : 0.2A, DC12V Max.
2. Circuit : 2C-2P
3. Contact resistance : 50mΩ Max.
4. Operating force : 50gf Max.

達立科技股份有限公司

Dawning Precision Co., Ltd.

TEL: 886-2-82271388 FAX: 886-2-82272198

DESIGN	Will	SCALE	
DRAWING	Will	UNIT	mm
CHECK	Will	SIZE	A4: 210*297
APPROVAL	Eric	VERSION	01

TOLERANCE UNLESS OTHERWISE STATED(mm)
less than 10 — ±0.2
10~30 — ±0.3
30~100 — ±0.5
ANGIE — ±2°

PART NAME	HOOK SWITCH
PART NO	HS-D40
DRAWING NO	
DATE	2010/02/02