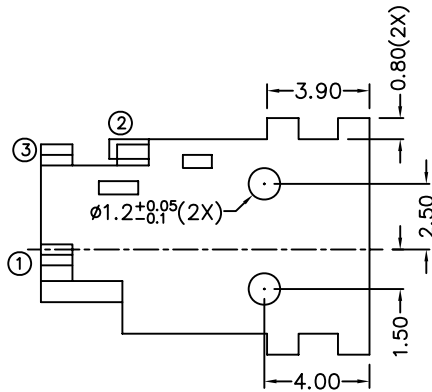
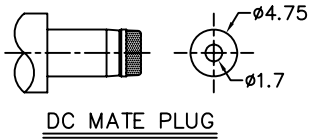
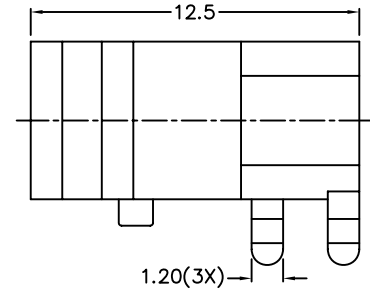
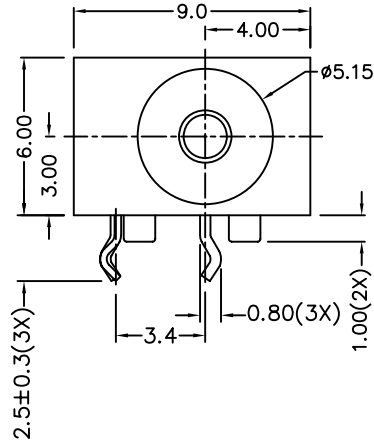
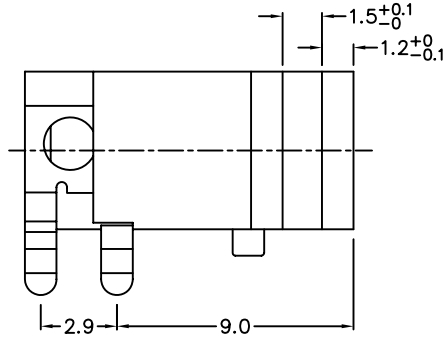
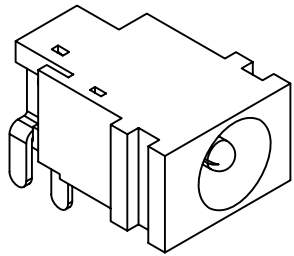


RoHS
Compatible

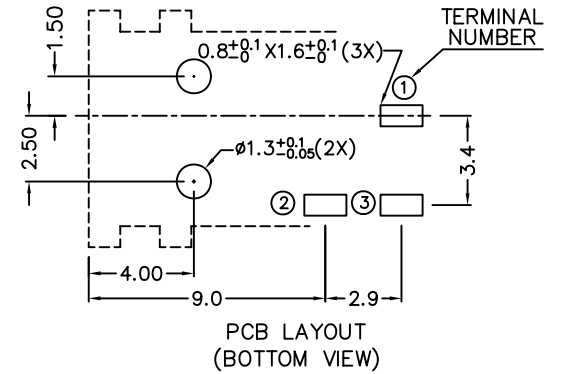
▲				
▲				
▲				
▲				
ZONE	REV	DESCRIPTION	DATE	APPD.



*** MATERIAL**

- TERMINAL 1 : BRASS
- TERMINAL 2 : COPPER ALLOY
- TERMINAL 3 : BRASS
- HOUSING : PA66

MODEL NO.	DC-026-2
SCHEMATIC	
CENTER PIN	ø1.65mm



達立科技股份有限公司

Dawning Precision Co., Ltd.

TEL: 886-2-82271388 FAX: 886-2-82272198

DESIGN	Will	SCALE			TOLERANCE UNLESS OTHERWISE STATED(mm) less than 10 — ±0.2 10~30 — ±0.3 30~100 — ±0.5 ANGIE — ±2°
DRAWING	Will	UNIT	mm		
CHECK	Will	SIZE	A4: 210*297		
APPROVAL	Eric	VERSION	01		

PART NAME	DC POWER SOCKET
PART NO	DC-026-2
DRAWING NO	
DATE	2009/06/09