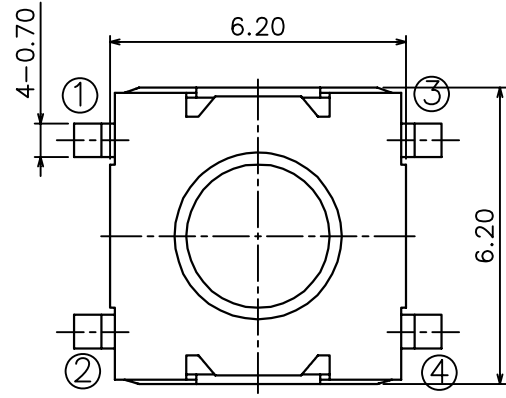
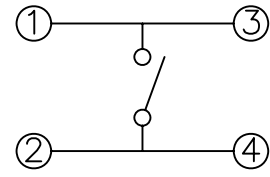


RoHS
Compatible

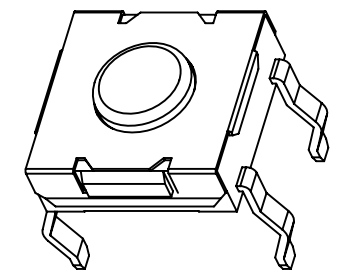
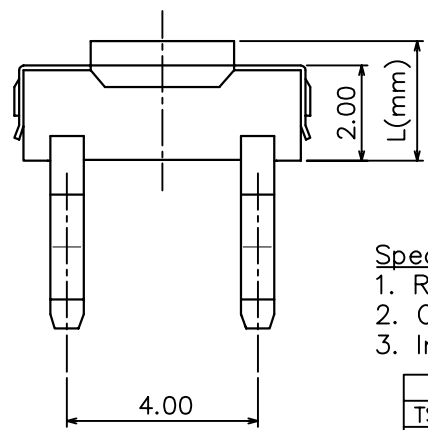
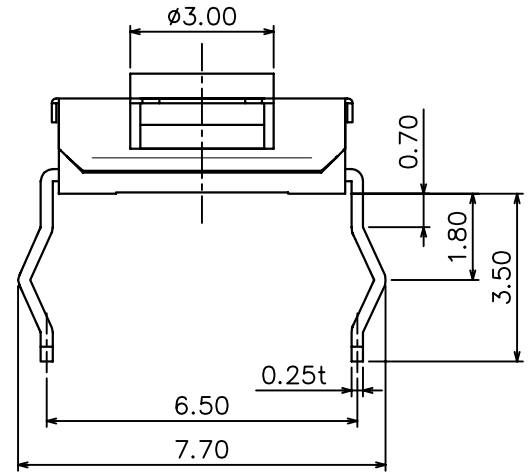
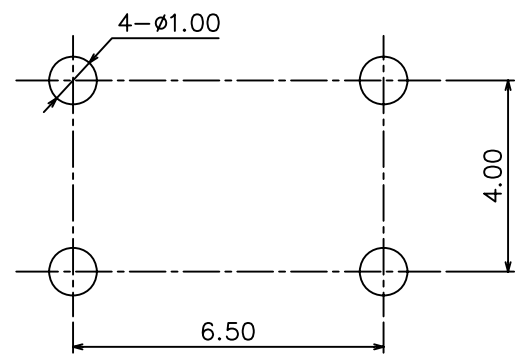
△				
△				
△				
△				
ZONE	REV	DESCRIPTION	DATE	APPD.



Circuit diagram



P.C.B Mounting pattern Dimension



Specifications

1. Rating: DC15V ,20mA Max.
2. Contact Resistance : 100mΩ Max.
3. Insulation Resistance : DC 100V-50MΩ Min.

Model	L(mm)	Stem Color	Operating Force	Life Cycles	Travel
TS-B65-1	2.5	IVORY	100±30gf	1,000,000 Cycle	0.2 ±0.15 mm
TS-B65	2.5	Green	50±15gf	2,000,000 Cycle	0.2 ±0.1 mm

達立科技股份有限公司
Dawning Precision Co.,Ltd.
TEL: 886-2-82271388 FAX: 886-2-82272198

DESIGN	Will	SCALE		
DRAWING	Will	UNIT	mm	
CHECK	Will	SIZE	A4: 210*297	
APPROVAL	Eric	VERSION	01	

TOLERANCE UNLESS OTHERWISE STATED(mm)	PART NAME	TACT SWITCH
less than 10 — ±0.3	PART NO	TS-B65 SERIES
10~30 — ±0.4	DRAWING NO	
30~100 — ±0.5	DATE	2009/03/19
ANGIE — ±2°		