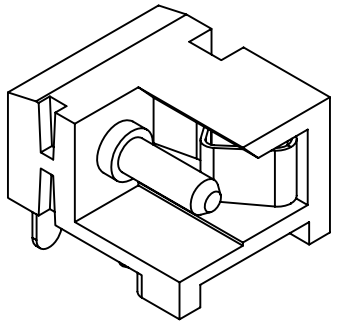
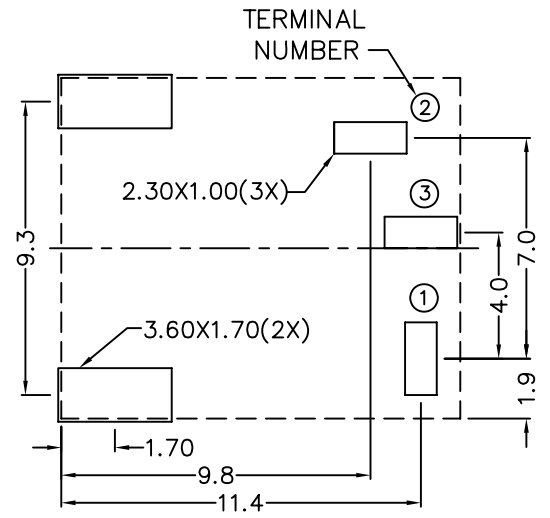
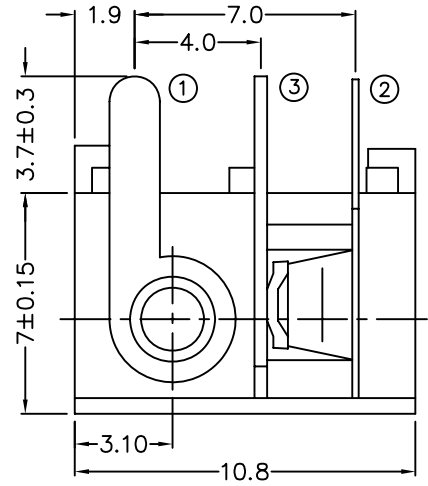
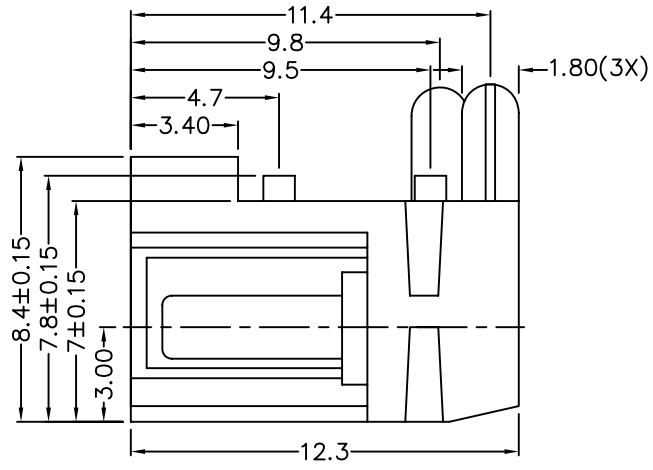


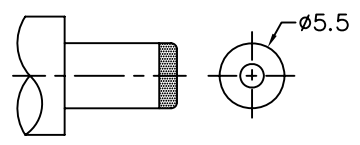
**RoHS**  
**Compatible**



△				
△				
△				
△				
ZONE	REV	DESCRIPTION	DATE	APPD.



PCB LAYOUT  
(BOTTOM VIEW)



DC MATE PLUG

MODEL NO.	DC-003
SCHEMATIC	
CENTER PIN	∅2mm
	∅2.5mm

**\* MATERIAL**

- CENTRE PIN : COPPER
- TERMINAL 1 : BRASS
- TERMINAL 2 : COPPER ALLOY
- TERMINAL 3 : BRASS
- HOUSING : PBT

**達立科技股份有限公司**



**Dawning Precision Co., Ltd.**

TEL: 886-2-82271388 FAX: 886-2-82272198

DESIGN	Will	SCALE		
DRAWING	Will	UNIT	mm	
CHECK	Will	SIZE	A4: 210*297	
APPROVAL	Eric	VERSION	01	

TOLERANCE UNLESS OTHERWISE STATED(mm)
less than 10 — ±0.2
10~30 — ±0.3
30~100 — ±0.5
ANGLE — ±2'

PART NAME	DC POWER SOCKET
PART NO	DC-003
DRAWING NO	
DATE	2009/06/09