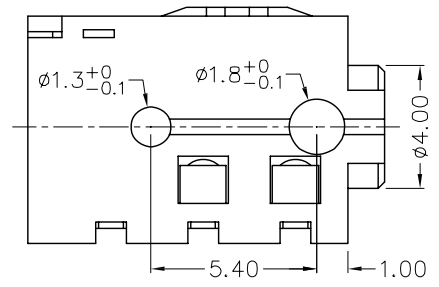
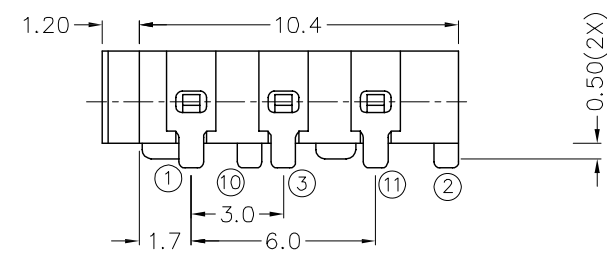
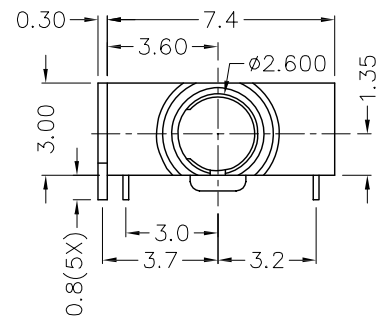
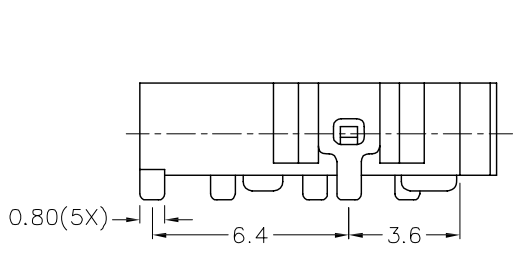
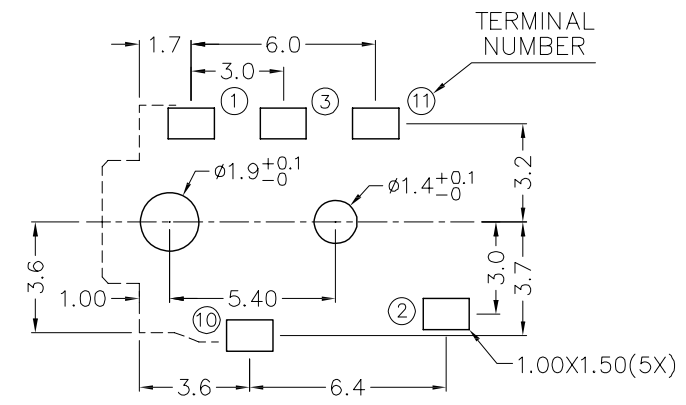


RoHS
Compatible

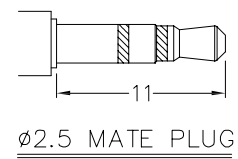
▲				
▲				
▲				
▲				
ZONE	REV	DESCRIPTION	DATE	APPD.



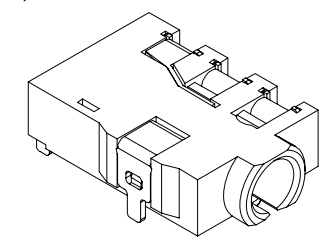
*** MATERIAL**
 TERMINAL 1 : COPPER ALLOY
 TERMINAL 2 : COPPER ALLOY
 TERMINAL 3 : COPPER ALLOY
 TERMINAL 10 : BRASS
 TERMINAL 11 : COPPER ALLOY
 HOUSING : PA66



PCB LAYOUT
(BOTTOM VIEW)



MODEL NO.	PJ-2745	PJ-2744A	PJ-2744B	PJ-2743	PJ-2743A
SCHEMATIC					



達立科技股份有限公司
Dawning Precision Co., Ltd.
 TEL: 886-2-82271388 FAX: 886-2-82272198

DESIGN	Will	SCALE		 TOLERANCE UNLESS OTHERWISE STATED(mm) less than 10 — ±0.2 10~30 — ±0.3 30~100 — ±0.5 ANGLE — ±2°	PART NAME	PHONE JACK
DRAWING	Will	UNIT	mm		PART NO	PJ-274 SERIES
CHECK	Will	SIZE	A4: 210*297		DRAWING NO	
APPROVAL	Eric	VERSION	01		DATE	2009/11/24