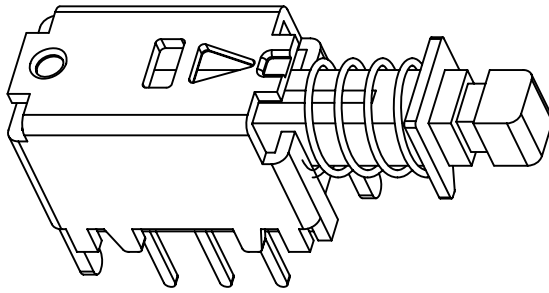
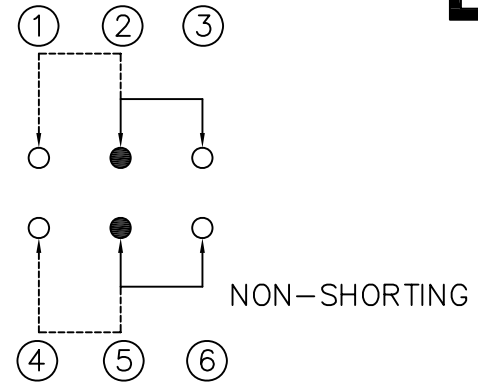


RoHS
Compatible

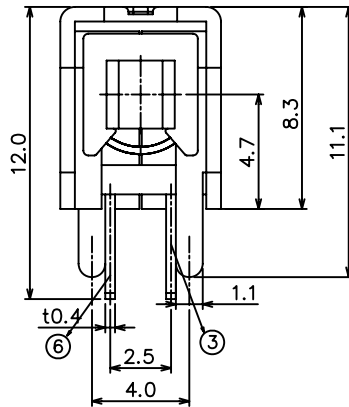
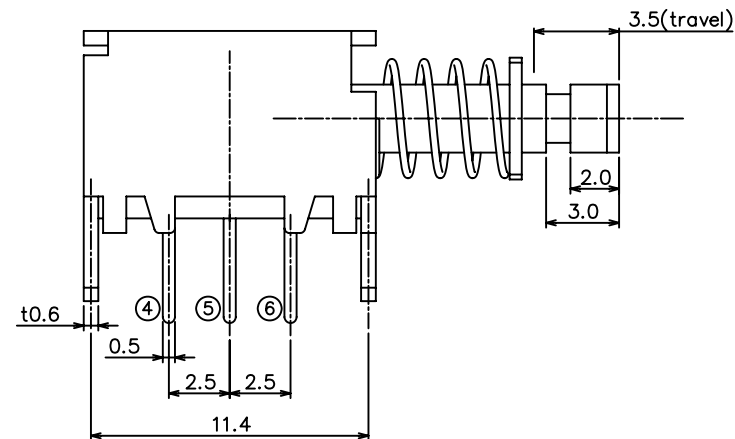
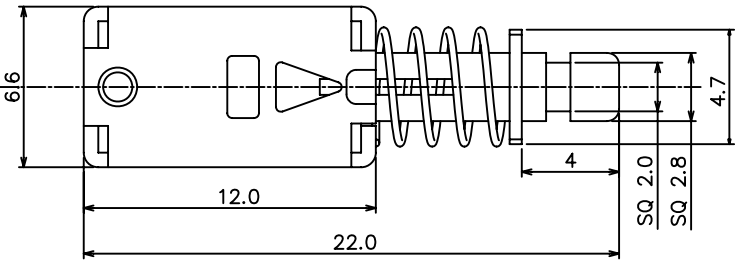
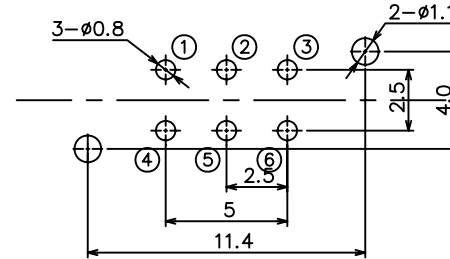
△				
△				
△				
△				
ZONE	REV	DESCRIPTION	DATE	APPD.



Circuit Diagram



P.C.B Mounting
pattern Dimension



7	CAM STICK	PBS WIRE	1	NATURAL
6	CONTACT CLIP	PBS C5210-EH	2	Ag CLAD
5	TERMINAL	BRASS STRIP	6	Ag PLATED OVER Ni PLATED
4	BASE	PHENOLIC RESIN	1	NATURAL
3	FRAME	STEEL STRIP	1	Ni PLATED
2	BLOCK	STEEL STRIP	1	Ni PLATED
1	KNOB	POM	1	YELLOW
NO	PART NAME	MATERIAL	Q'TY	FINISHING

達立科技股份有限公司
Dawning Precision Co., Ltd.
TEL: 886-2-82271388 FAX: 886-2-82272198

DESIGN	Will	SCALE		
DRAWING	Will	UNIT	mm	
CHECK	Will	SIZE	A4: 210*297	
APPROVAL	Eric	VERSION	01	

TOLERANCE UNLESS OTHERWISE STATED(mm)	PART NAME	PUSH SWITCH
less than 10 — ±0.2	PART NO	PS-22E05
10~30 — ±0.3	DRAWING NO	
30~100 — ±0.5	DATE	2010/03/08
ANGIE — ±2°		