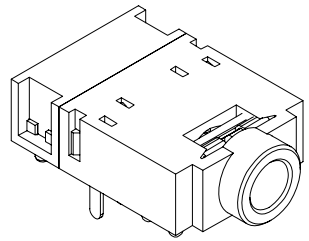
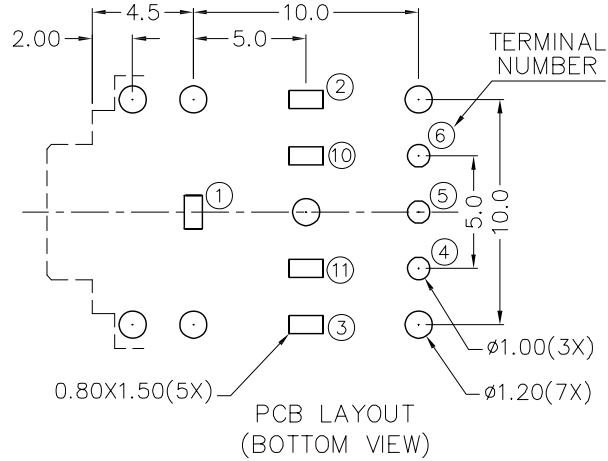
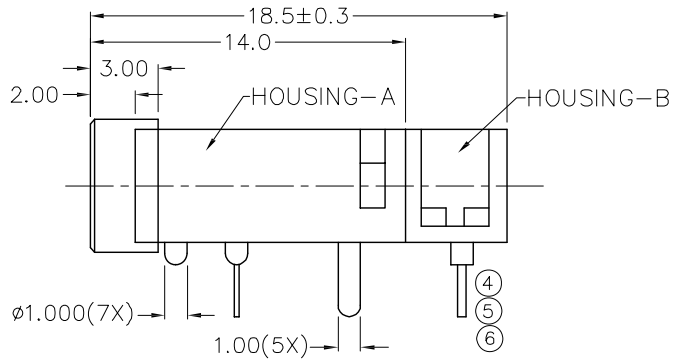
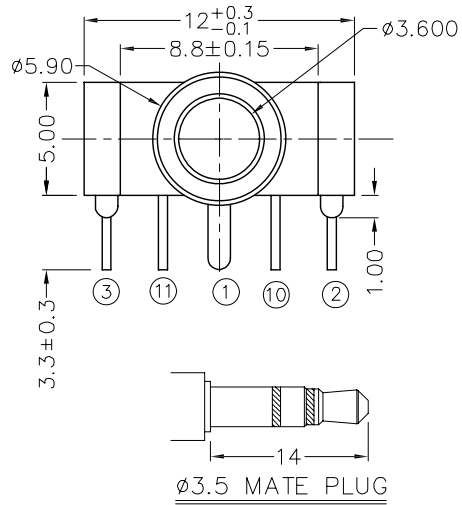


RoHS
Compatible



▲				
▲				
▲				
▲				
ZONE	REV	DESCRIPTION	DATE	APPD.



- * MATERIAL**
- TERMINAL 1 : COPPER ALLOY
 - TERMINAL 2 : COPPER ALLOY
 - TERMINAL 3 : COPPER ALLOY
 - TERMINAL 10 : BRASS
 - TERMINAL 11 : BRASS
 - TERMINAL 4,5,6 : BRASS
 - BUSHING : BRASS
 - HOUSING-A : PBT
 - HOUSING-B : PBT
 - INSULATOR : PBT
 - PIN BOARD : PBT
 - CONTACT CLIP : C5210R-EH AG CLAD

MODEL NO.	PJ-3615-12	PJ-3614A-12	PJ-3614B-12	PJ-3613-12	PJ-3613A-12	PJ-3612-12
SCHEMATIC						

達立科技股份有限公司
Dawning Precision Co., Ltd.
TEL: 886-2-82271388 FAX: 886-2-82272198

DESIGN	Will	SCALE		
DRAWING	Will	UNIT	mm	
CHECK	Will	SIZE	A4: 210*297	
APPROVAL	Eric	VERSION	01	

TOLERANCE UNLESS OTHERWISE STATED(mm)	PART NAME	PHONE JACK
less than 10 — ±0.2	PART NO	PJ-361-12 SERIES
10~30 — ±0.3	DRAWING NO	
30~100 — ±0.5	DATE	2009/11/24
ANGIE — ±2°		

www.dawning2.com.tw