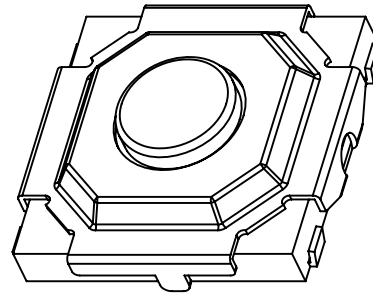
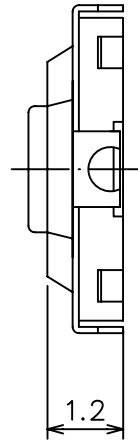
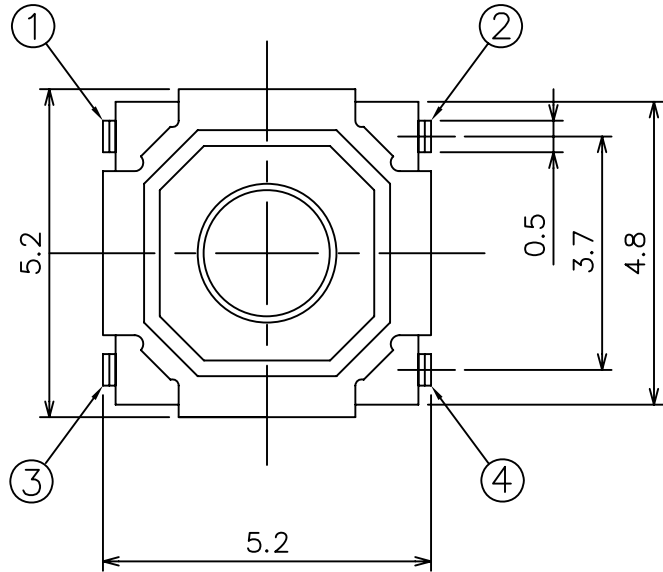
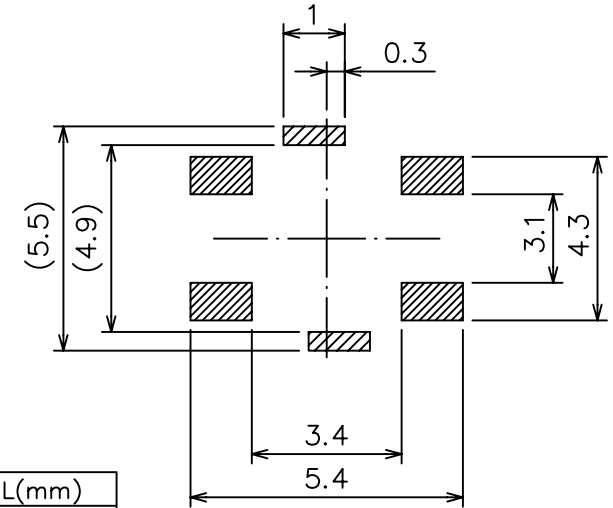


RoHS
Compatible

△				
△				
△				
△				
ZONE	REV	DESCRIPTION	DATE	APPD.

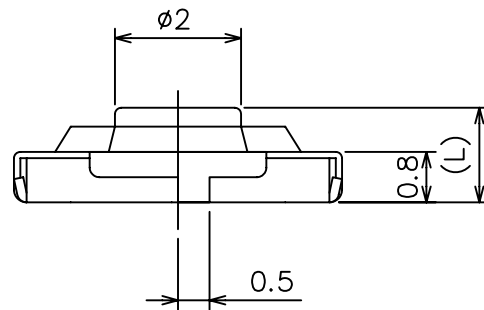


P.C.B Mounting pattern Dimension

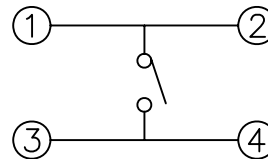


Knob(L)

Model No	L(mm)
TS-A87PU	1.50
TS-A87PUA	1.70
TS-A87PUB	4.30



Circuit Diagram



Specifications

1. Rating : DC 12V, 50mA Max.
2. Bounce : 10m sec Max.
3. Travel : 0.25±0.1mm
4. Contact resistance : 100mΩ Max.
5. Operating force : 180,250±50g
6. Operating life : 100,000 cycles

達立科技股份有限公司

Dawning Precision Co., Ltd.

TEL: 886-2-82271388 FAX: 886-2-82272198

DESIGN	Will	SCALE			TOLERANCE UNLESS OTHERWISE STATED(mm)	PART NAME	TACT SWITCH
DRAWING	Will	UNIT	mm		less than 10 — ±0.2	PART NO	TS-A87PU SERIES
CHECK	Will	SIZE	A4: 210*297		10~30 — ±0.3	DRAWING NO	
APPROVAL	Eric	VERSION	01		30~100 — ±0.5	DATE	2009/08/06
					ANGIE — ±2°		