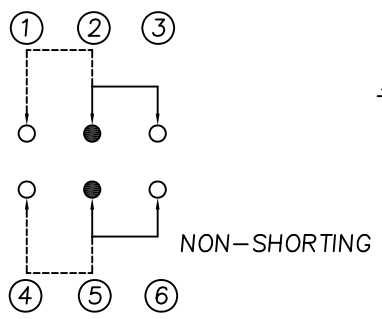


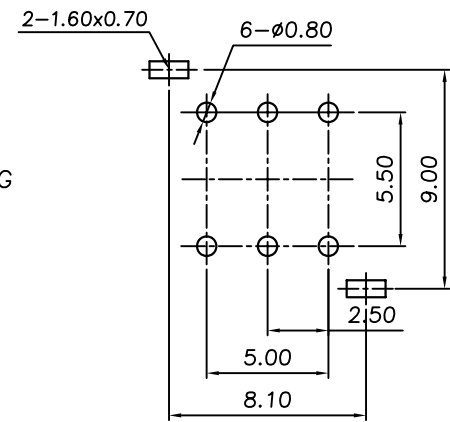
RoHS
Compatible

△				
△				
△				
△				
ZONE	REV	DESCRIPTION	DATE	APPD.

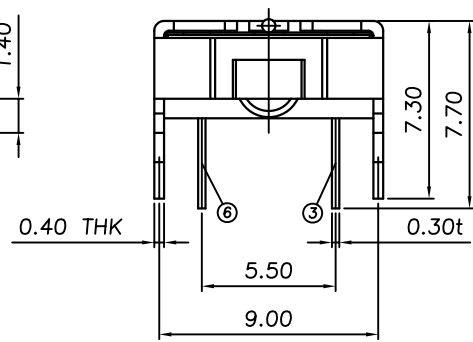
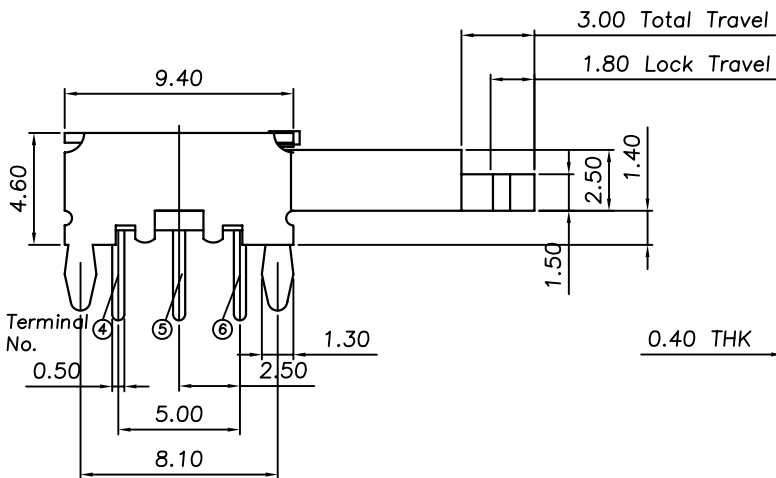
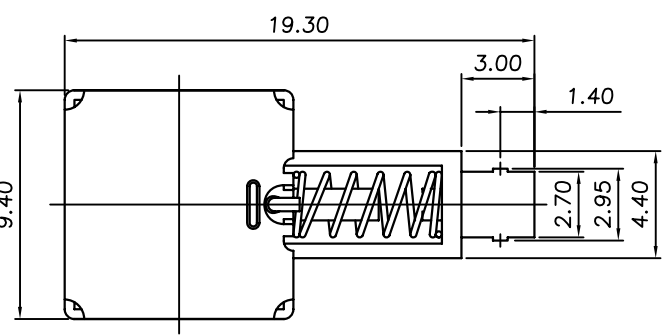
Circuit Diagram



P.C.B Mounting pattern Dimension



發行
2013.02.27
達立



Specification

1. Rating : DC 50V 0.3A Max.
2. Contact resistance : 30mΩ Max.
3. Insulation resistance : 100MΩ Min.
4. Travel : full : 3.5mm
5. Operating life : 10,000 cycles Min.
6. Operating force: 250±100g

7	Contact Clip	PBS Strip	2	Ag Clad
6	Cam Stick	Brass Wire	1	Natural
5	Terminal	Brass Strip	6	Ag Plated
4	Base	Phenolic Resin	1	Natural
3	Frame	Steel Strip	1	Ni Plated
2	Spring	Steel Wire	1	Natural
1	Knob	PBT	1	Yellow
No.	Part Name	Material	Q'ty	Finishing

達立科技股份有限公司
Dawning Precision Co., Ltd.
TEL: 886-2-82271388 FAX: 886-2-82272198

DESIGN	Will	SCALE	
DRAWING	Will	UNIT	mm
CHECK	Will	SIZE	A4: 210*297
APPROVAL	Eric	VERSION	01

TOLERANCE UNLESS OTHERWISE STATED(mm)	PART NAME	PUSH SWITCH
less than 10 — ±0.3	PART NO	PS-22E05-L-S111
10~30 — ±0.4	DRAWING NO	
30~100 — ±0.5	DATE	2013/02/27
ANGIE — ±2°		