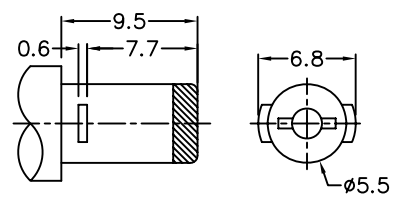
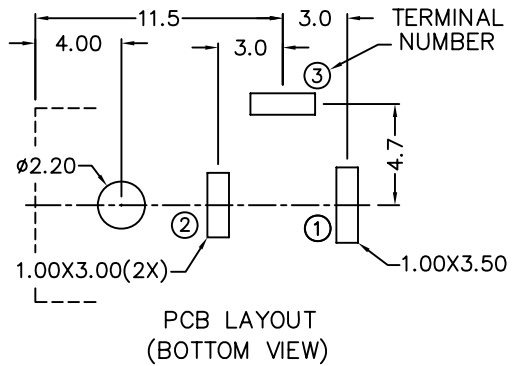
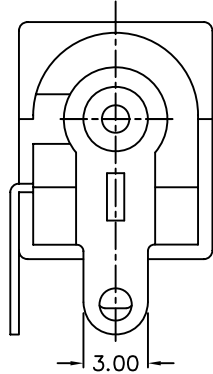
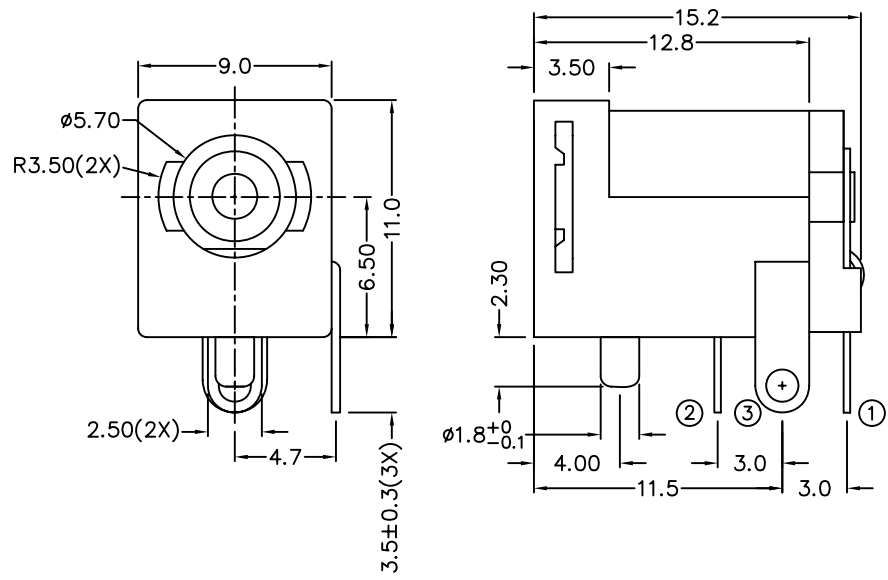
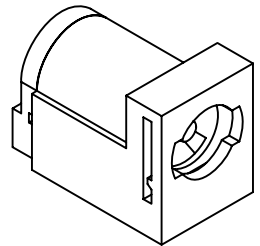


**RoHS**  
**Compatible**

▲				
▲				
▲				
▲				
ZONE	REV	DESCRIPTION	DATE	APPD.



MODEL NO.	DC-062
SCHEMATIC	①, ②, ③
CENTER PIN	ø2mm
	ø2.5mm

- \*MATERIAL**
- CENTRE PIN : COPPER
  - TERMINAL 1 : BRASS
  - TERMINAL 2 : COPPER ALLOY
  - TERMINAL 3 : BRASS
  - HOUSING : PBT
  - COVER : PBT

**達立科技股份有限公司**  
**Dawning Precision Co., Ltd.**  
TEL: 886-2-82271388 FAX: 886-2-82272198

DESIGN	Will	SCALE		
DRAWING	Will	UNIT	mm	
CHECK	Will	SIZE	A4: 210*297	
APPROVAL	Eric	VERSION	01	

TOLERANCE UNLESS OTHERWISE STATED(mm)	PART NAME	DC POWER SOCKET
less than 10 — ±0.2	PART NO	DC-062
10~30 — ±0.3	DRAWING NO	
30~100 — ±0.5	DATE	2009/06/10
ANGIE — ±2°		

www.dawning2.com.tw