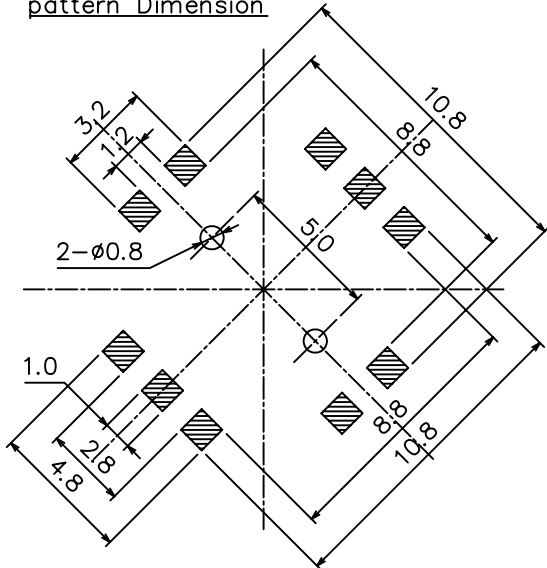


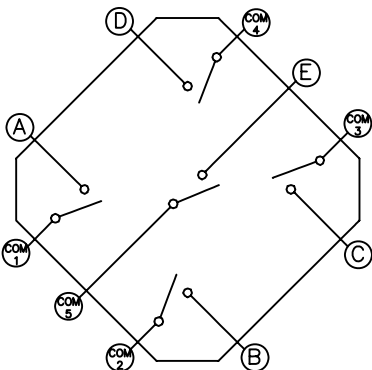
RoHS
Compatible



P.C.B Mounting
pattern Dimension



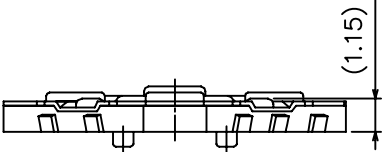
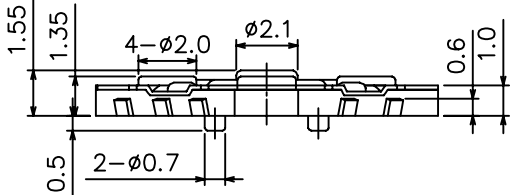
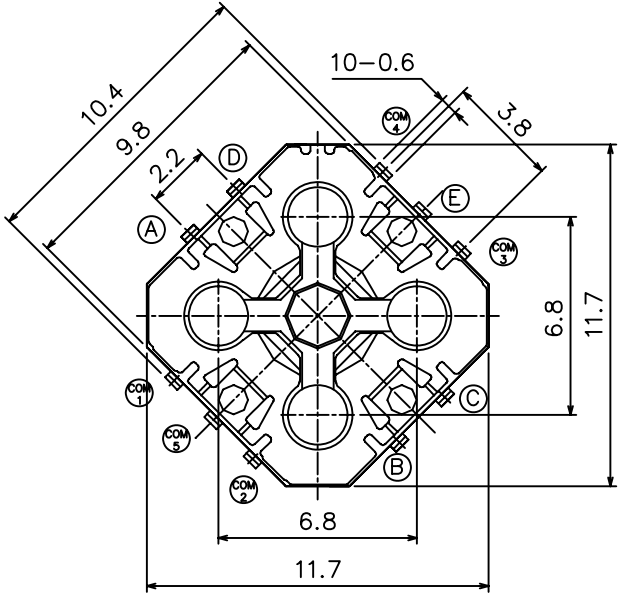
Circuit Diagram



Specifications

- Rating : DC 12V, 50mA
- Travel : 0.2±0.1mm
- Contact Resistance : 100mΩ Max.
- Insulation Resistance : 100MΩ Min.
- Operation Force :
Center Push : 320±100gf
4-Directional : 160±50gf
- Operating Life :
Center Push : 100,000 Cycles
4-Directional : 200,000 Cycles

▲				
▲				
▲				
▲				
ZONE	REV	DESCRIPTION	DATE	APPD.



達立科技股份有限公司
Dawning Precision Co., Ltd.
TEL: 886-2-82271388 FAX: 886-2-82272198

DESIGN	Will	SCALE		
DRAWING	Will	UNIT	mm	
CHECK	Will	SIZE	A4: 210*297	
APPROVAL	Eric	VERSION	01	

TOLERANCE UNLESS OTHERWISE STATED(mm)
less than 10 — ±0.2
10~30 — ±0.3
30~100 — ±0.5
ANGIE — ±2°

PART NAME	TACT SWITCH
PART NO	TST52-UE-320-T20
DRAWING NO	
DATE	2009/09/28