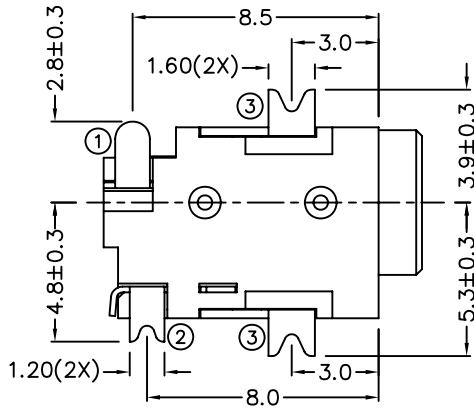
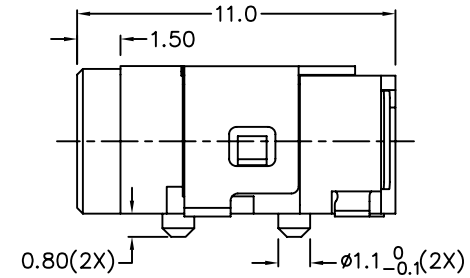
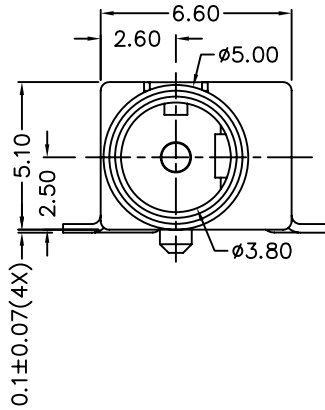
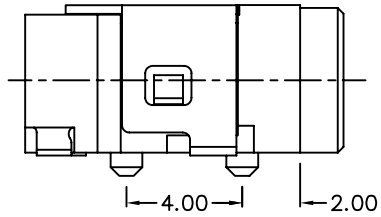


RoHS
Compatible

發行
2008.12.26
達立

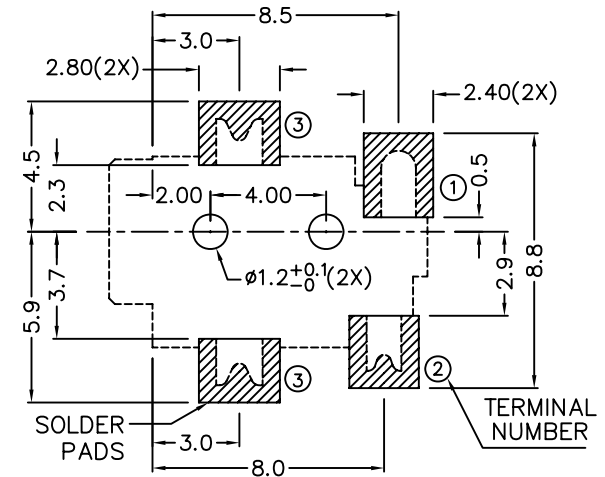
△				
△				
△				
△				
ZONE	REV	DESCRIPTION	DATE	APPD.



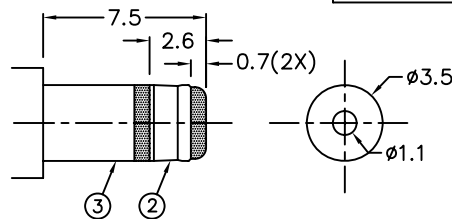
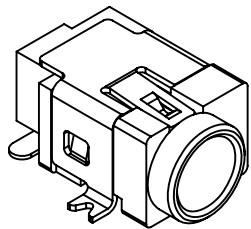
*** MATERIAL**

TERMINAL 1 : BRASS
TERMINAL 2 : COPPER ALLOY
TERMINAL 3 : COPPER ALLOY
HOUSING : PA6T

MODEL NO.	DC-060D
SCHEMATIC	
CENTER PIN	φ1mm



RECOMMENDED
SOLDER PAD LAYOUT



DC MATE PLUG

達立科技股份有限公司



Dawning Precision Co., Ltd.

TEL: 886-2-82271388 FAX: 886-2-82272198

DESIGN	Will	SCALE			TOLERANCE UNLESS OTHERWISE STATED(mm)	PART NAME	DC POWER SOCKET
DRAWING	Will	UNIT	mm		less than 10 — ±0.2	PART NO	DC-060D
CHECK	Will	SIZE	A4: 210*297		10~30 — ±0.3	DRAWING NO	
APPROVAL	Eric	VERSION	01		30~100 — ±0.5	DATE	2008/12/26
					ANGLE — ±2°		