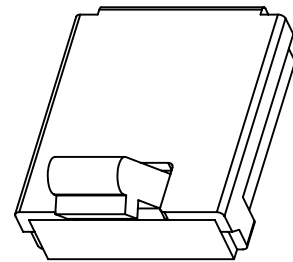
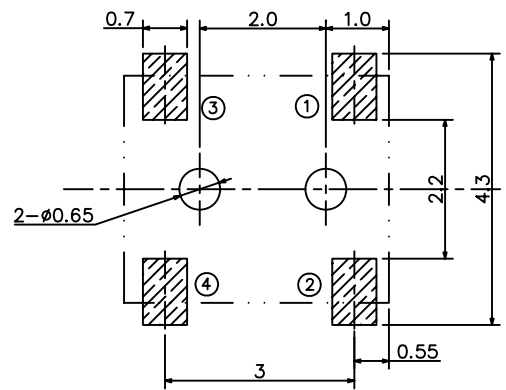


**RoHS**  
**Compatible**

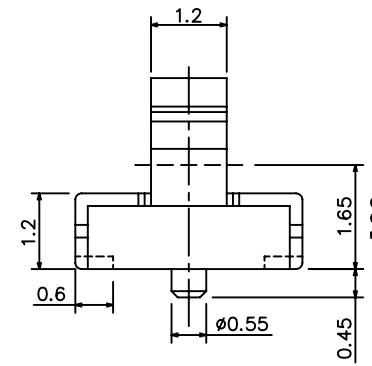
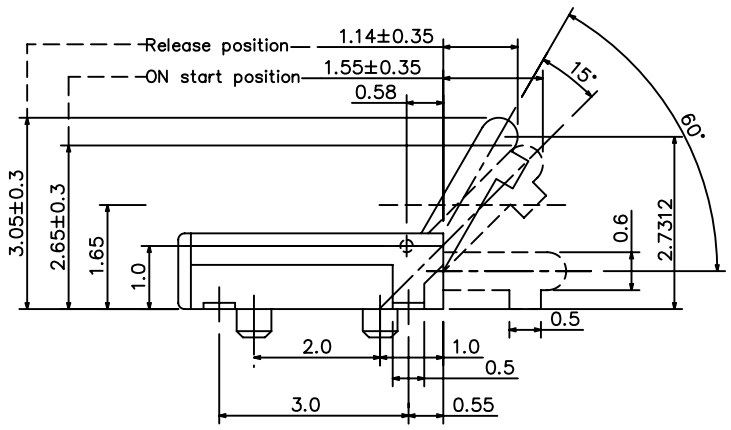
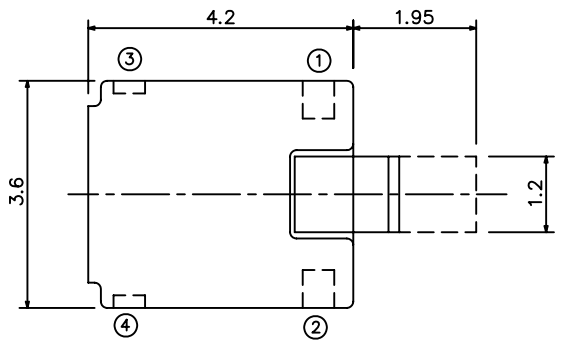
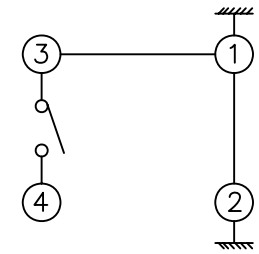
發行  
2009.12.09  
達立



P.C.B Mounting  
pattern Dimension



Circuit diagram



**SPECIFICATIONS**

1. RATING : 50  $\mu$ A 3V DC to 10 mA 5 V DC
2. Contact Resistance : 1 $\Omega$  Max.
3. Insulation Resistance : 100M $\Omega$  Min
4. Operation Force : 40gf Max
5. Operating Life : 50,000 cycles

**達立科技股份有限公司**  
**Dawning Precision Co., Ltd.**  
TEL: 886-2-82271388 FAX: 886-2-82272198

DESIGN	Will	SCALE		
DRAWING	Will	UNIT	mm	
CHECK	Will	SIZE	A4: 210*297	
APPROVAL	Eric	VERSION	01	

TOLERANCE UNLESS OTHERWISE STATED(mm)	PART NAME	DETECTOR SWITCH
less than 10 — ±0.2	PART NO	DS-A31-S008
10~30 — ±0.3	DRAWING NO	
30~100 — ±0.5	DATE	2009/09/11
ANGIE — ±2°		