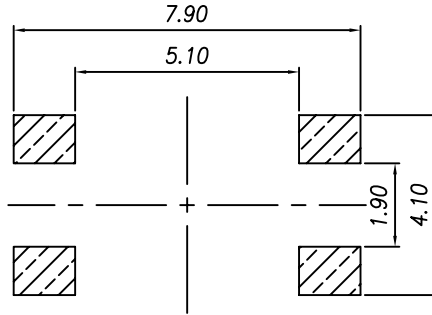


**RoHS**  
**Compatible**

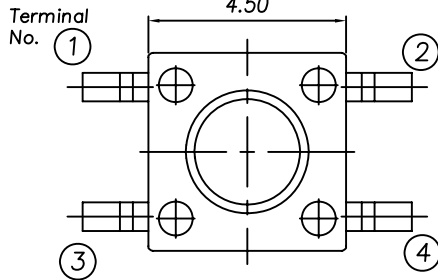
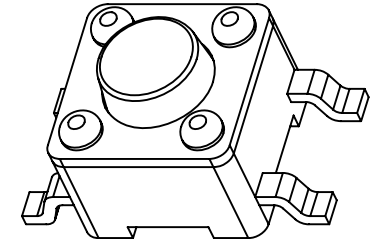
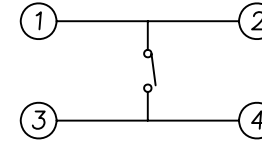
▲				
▲				
▲				
▲				
ZONE	REV	DESCRIPTION	DATE	APPD.

Order Information:  
TS-A09S ---S001  
Force Height

P.C.B Mounting pattern Dimension



Circuit diagram

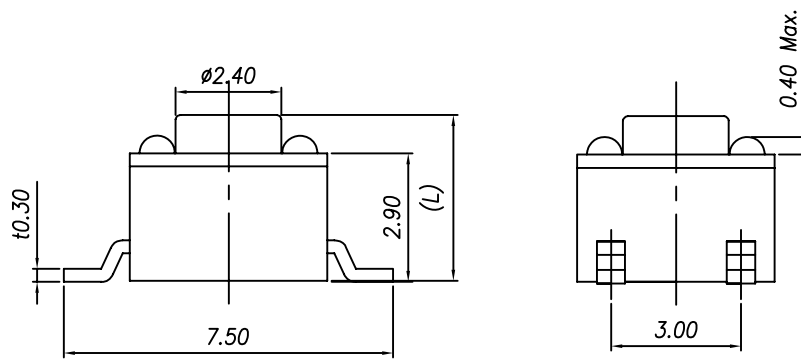


H	(L)mm
B	4.8
A	7.0
-	3.8

Specification

- Rating : 50mA, DC12V Max.
- Contact Resistance : 100mΩ Max.
- Travel : 0.25±0.1mm
- Insulation resistance : DC 100V/1 minute.
- Withstand voltage : AC 100V/1 minute.
- 

Model	Operating Force	Life Cycles
TS-A09S	100±50gf	100,000 cycle
TS-A09S-1	130±50gf	100,000 cycle
TS-A09S-2	160±50gf	100,000 cycle
TS-A09S-3	250±50gf	100,000 cycle



5	Cover	SPTe	1	Sn Plated
4	Contact	Stainless	1	Ag Clad
3	Stem	LCP	1	Black
2	Terminal	Brass	4	Ag Plated
1	Case	PolyAmide	1	Black
NO	Part Name	Material	Q'ty	Finishing

達立科技股份有限公司

Dawning Precision Co., Ltd.

TEL: 886-2-82271388 FAX: 886-2-82272198

DESIGN	Will	SCALE	
DRAWING	Will	UNIT	mm
CHECK	Will	SIZE	A4: 210*297
APPROVAL	Eric	VERSION	01

TOLERANCE UNLESS OTHERWISE STATED(mm)	PART NAME	TACT SWITCH
less than 10 — ±0.3	PART NO	TS-A09S SERIES
10~30 — ±0.4	DRAWING NO	
30~100 — ±0.5	DATE	2011/08/31
ANGIE — ±2°		