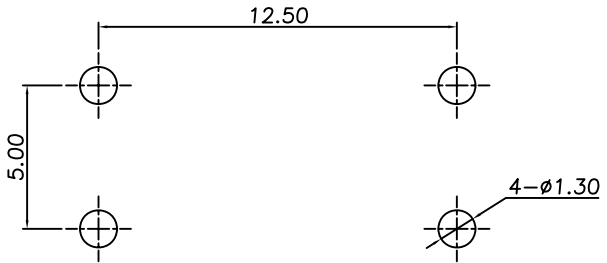


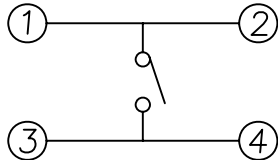
RoHS
Compatible

△				
△				
△				
△				
ZONE	REV	DESCRIPTION	DATE	APPD.

P.C.B Mounting
pattern Dimension



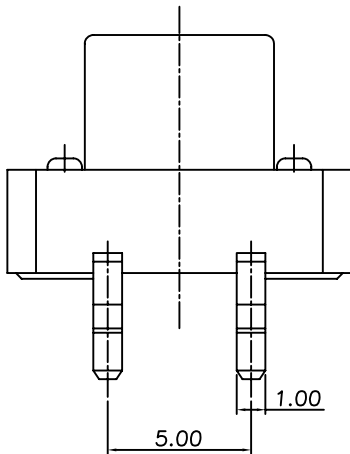
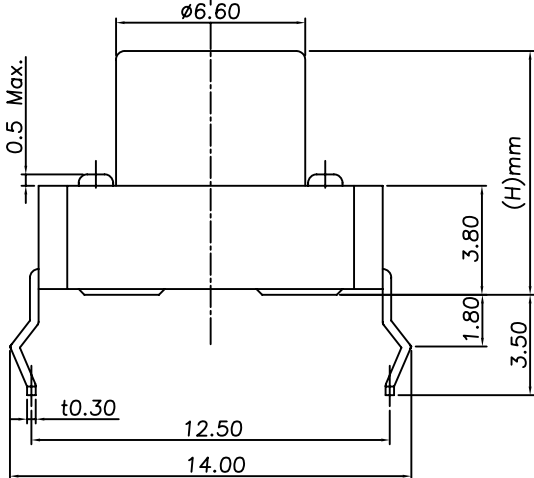
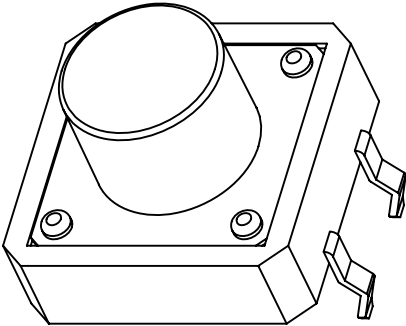
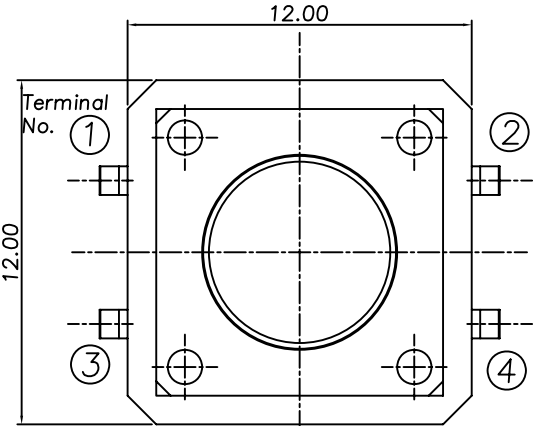
Circuit diagram



Order Information:
TS-A03F - -S033

Force
Height

Model No.	(L)mm
TS-A03F	9.5
TS-A03FH	8.5



Specifications

- Rating : DC 12V 50mA
- Contact resistance : 100mΩ Max.
- Travel : 0.30±0.15mm
-

Model#	Operating force	Life Cycles
TS-A03F-1	130±50gf	100,000 Cycles
TS-A03F-2	160±50gf	100,000 Cycles
TS-A03F-3	250±50gf	100,000 Cycles

5	Case	PBT	1	Black
4	Terminal	Brass	1	Ag Plated
3	Contact	Phosphor Bronze	1	Ag Clad
2	Stem	PA66	1	Black
1	Cover	Polyester	1	
No.	Part Name	Material	Q"ty	Finishing

達立科技股份有限公司

Dawning Precision Co., Ltd.

TEL: 886-2-82271388 FAX: 886-2-82272198

DESIGN	Will	SCALE	
DRAWING	Will	UNIT	mm
CHECK	Will	SIZE	A4: 210*297
APPROVAL	Eric	VERSION	01

TOLERANCE UNLESS OTHERWISE STATED(mm)
less than 10 — ±0.2
10~30 — ±0.3
30~100 — ±0.5
ANGIE — ±2°

PART NAME	TACT SWITCH
PART NO	TS-A03F SERIES
DRAWING NO	
DATE	2009/08/26