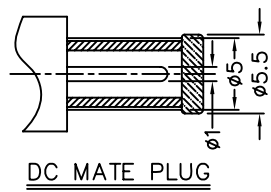
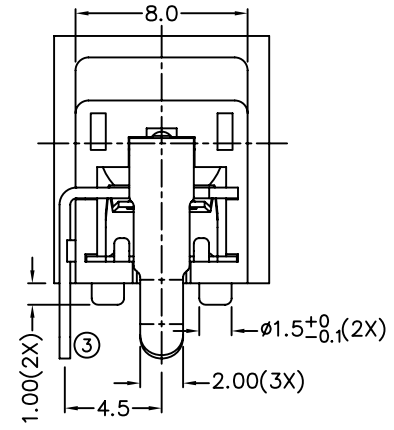
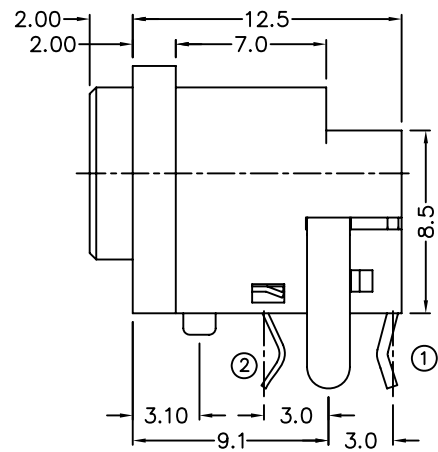
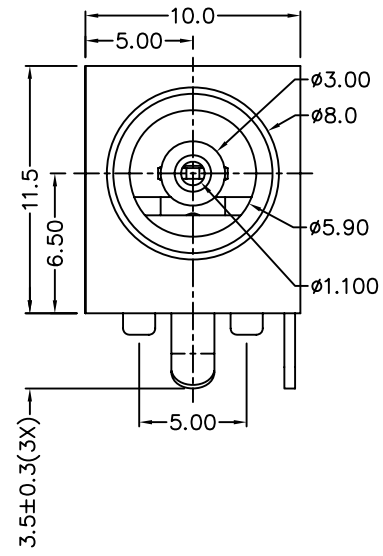
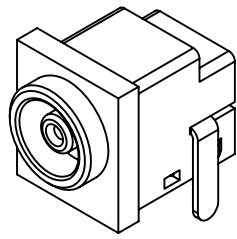


RoHS
Compatible

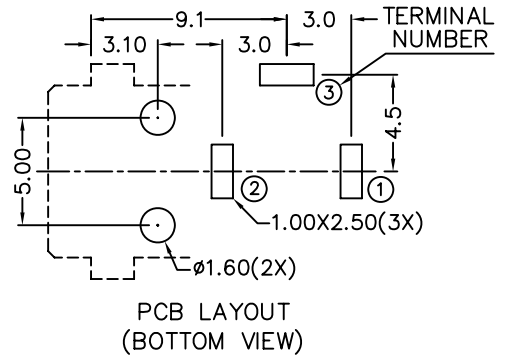
發行
2009.08.17
達立

| | | | | |
|------|-----|-------------|------|-------|
| △ | | | | |
| △ | | | | |
| △ | | | | |
| △ | | | | |
| ZONE | REV | DESCRIPTION | DATE | APPD. |



* MATERIAL
 TERMINAL 1 : BRASS
 TERMINAL 2 : COPPER ALLOY
 TERMINAL 3 : BRASS
 HOUSING : PBT

| | |
|-----------|----------|
| MODEL NO. | DC-058-2 |
| SCHMATIC | |



達立科技股份有限公司
Dawning Precision Co., Ltd.
 TEL: 886-2-82271388 FAX: 886-2-82272198

| | | | | |
|----------|------|---------|-------------|--|
| DESIGN | Will | SCALE | | |
| DRAWING | Will | UNIT | mm | |
| CHECK | Will | SIZE | A4: 210*297 | |
| APPROVAL | Eric | VERSION | 01 | |

| | | |
|---------------------------------------|------------|-----------------|
| TOLERANCE UNLESS OTHERWISE STATED(mm) | PART NAME | DC POWER SOCKET |
| less than 10 — ±0.2 | PART NO | DC-058-2 |
| 10~30 — ±0.3 | DRAWING NO | |
| 30~100 — ±0.5 | DATE | 2009/06/10 |
| ANGIE — ±2' | | |