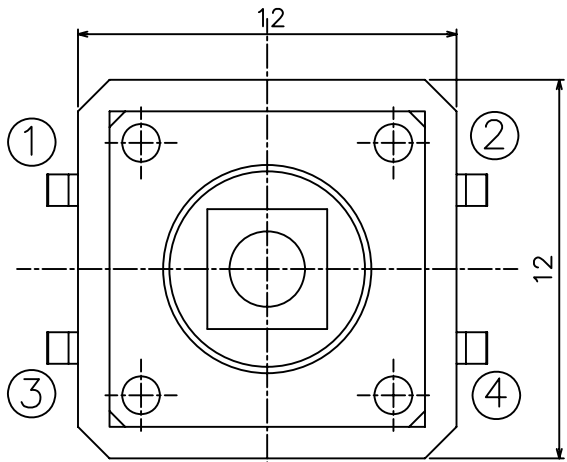
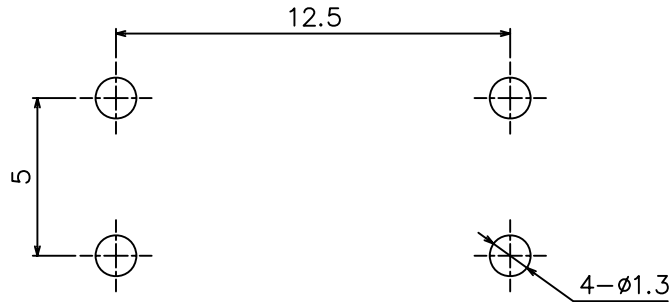


RoHS
Compatible

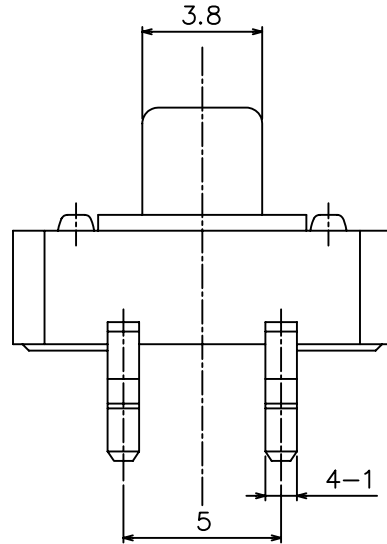
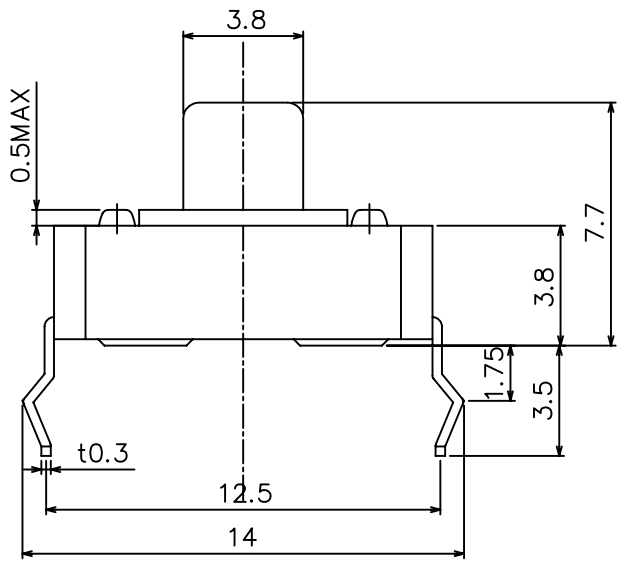
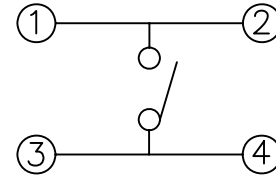
▲				
▲				
▲				
▲				
ZONE	REV	DESCRIPTION	DATE	APPD.



P.C.B Mounting
pattern Dimension



Circuit diagram



Specifications

1. Rating : DC 12V, 50mA Max.
2. Circuit : 1C - 1P
3. Travel: 0.3±0.15mm
4. Contact resistance : 100mΩ Max.
5. Operating force : 130,160,250±50gf
6. Operating life: 80,000 cycles Min.

達立科技股份有限公司

Dawning Precision Co., Ltd.

TEL: 886-2-82271388 FAX: 886-2-82272198

DESIGN	Will	SCALE		
DRAWING	Will	UNIT	mm	
CHECK	Will	SIZE	A4: 210*297	
APPROVAL	Eric	VERSION	01	

TOLERANCE UNLESS OTHERWISE STATED(mm)
less than 10 — ±0.2
10~30 — ±0.3
30~100 — ±0.5
ANGIE — ±2°

PART NAME	TACT SWITCH
PART NO	TS-A03C series
DRAWING NO	
DATE	2009/11/10

www.dawning2.com.tw