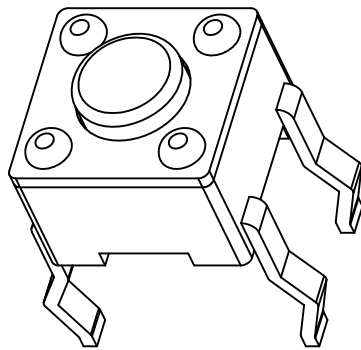
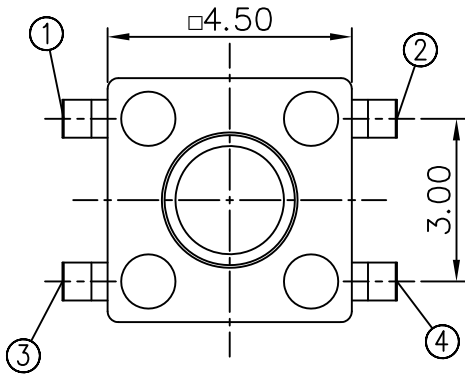


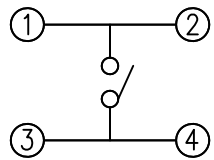
RoHS
Compatible

發行
2013.09.02
達立

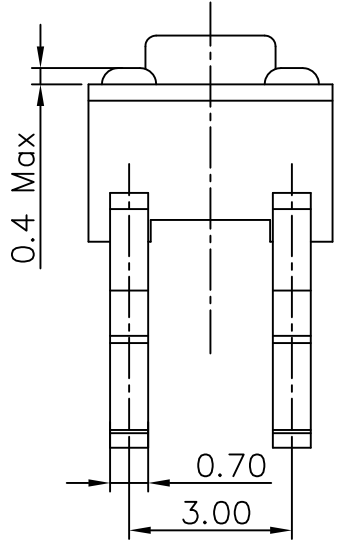
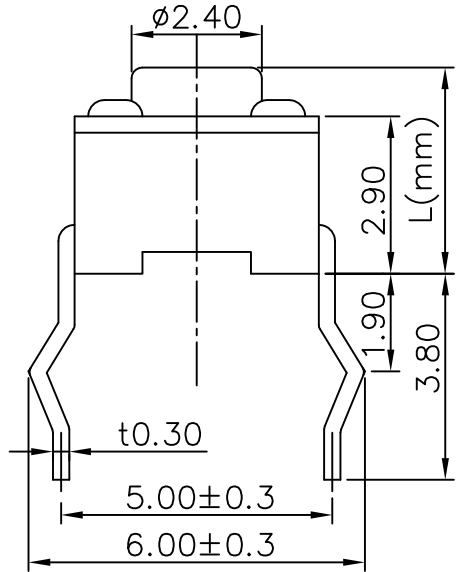
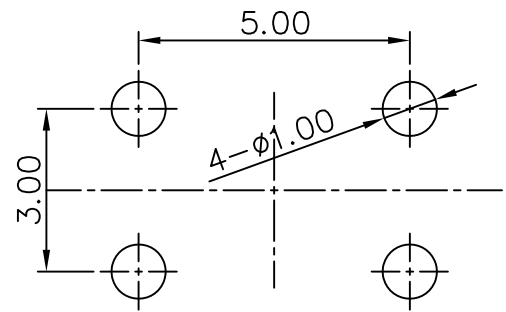
△				
△				
△				
△				
ZONE	REV	DESCRIPTION	DATE	APPD.



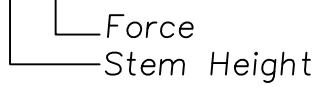
CIRCUIT DIAGRAM



PCB LAYOUT MOUNTING PATTERN



ORDER INFORMATION:
TS-A09x-x-S085



STEM HEIGHT

Model No.	L(mm)
TS-A09	3.8
TS-A09A	7.0
TS-A09B	4.8

SPECIFICATION

- Rating : 50mA, DC12V Max.
- Contact Resistance : 100mΩ Max.
- Travel : 0.25±0.1mm
-

Model	Operating Force	Life Cycles
TS-A09x-1	130±30gf	100,000
TS-A09x-2	160±50gf	100,000
TS-A09x-3	250±50gf	100,000

達立科技股份有限公司
Dawning Precision Co., Ltd.
TEL: 886-2-82271388 FAX: 886-2-82272198

DESIGN	Frank	SCALE			TOLERANCE UNLESS OTHERWISE STATED(mm) less than 10 — ±0.2 10~30 — ±0.3 30~100 — ±0.5 ANGLE — ±2°	PART NAME	TACT SWITCH
DRAWING	Frank	UNIT	mm			PART NO	TS-A09x-x-S085
CHECK	Frank	SIZE	A4: 210*297			DRAWING NO	
APPROVAL	Eric	VERSION	01			DATE	2013/09/02