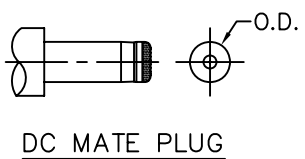
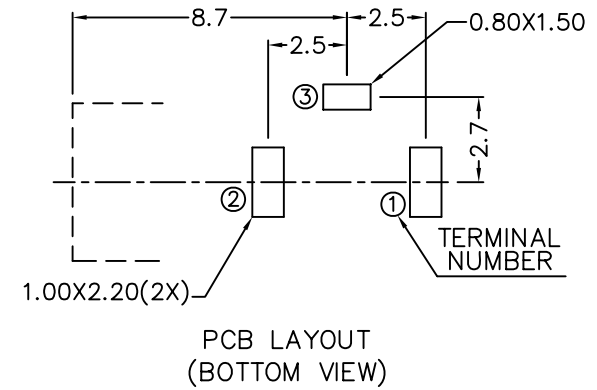
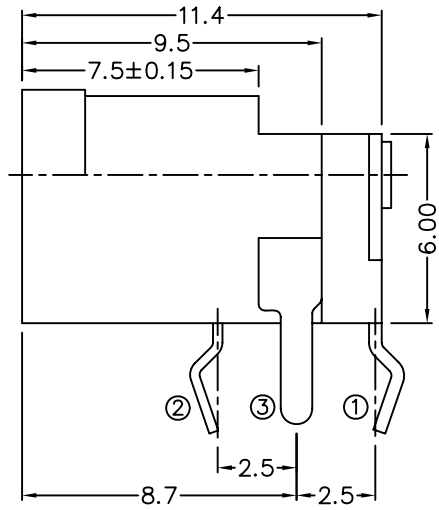
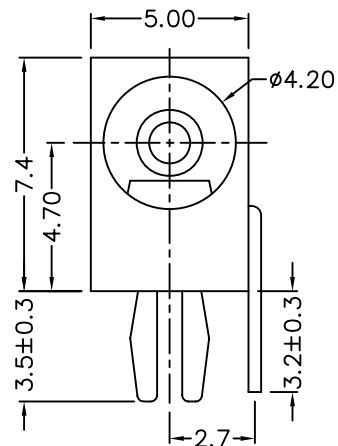
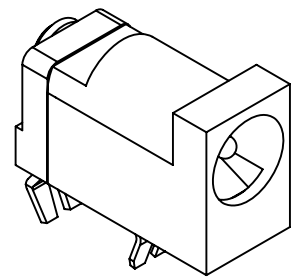


**RoHS**  
**Compatible**

△				
△				
△				
△				
ZONE	REV	DESCRIPTION	DATE	APPD.



MODEL NO.	DC-009-2	DC-009-2	DC-009-2
SCHEMATIC			
CENTER PIN	φ1mm	φ1.3mm	φ1.65mm
DC PLUG O.D.	φ3.4mm/φ3.8mm	φ3.4mm/φ3.8mm	φ3.8mm/φ4mm

- \* MATERIAL
- CENTRE PIN : COPPER
  - TERMINAL 1 : BRASS
  - TERMINAL 2 : COPPER ALLOY
  - TERMINAL 3 : BRASS
  - HOUSING : PBT
  - COVER : PBT

**達立科技股份有限公司**  
**Dawning Precision Co., Ltd.**  
TEL: 886-2-82271388 FAX: 886-2-82272198

DESIGN	Will	SCALE		
DRAWING	Will	UNIT	mm	
CHECK	Will	SIZE	A4: 210*297	
APPROVAL	Eric	VERSION	01	

TOLERANCE UNLESS OTHERWISE STATED(mm)
less than 10 — ±0.2
10~30 — ±0.3
30~100 — ±0.5
ANGIE — ±2°

PART NAME	DC POWER SOCKET
PART NO	DC-009-2
DRAWING NO	
DATE	2009/06/09

www.dawning2.com.tw