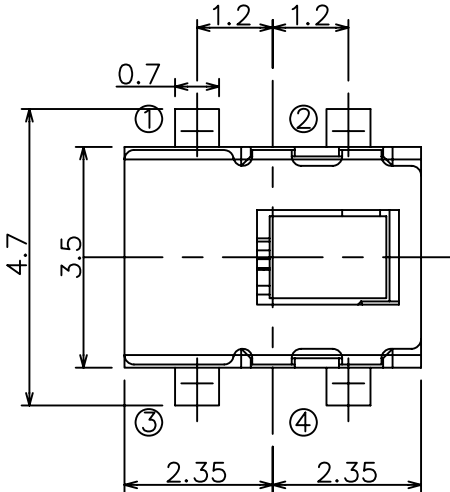
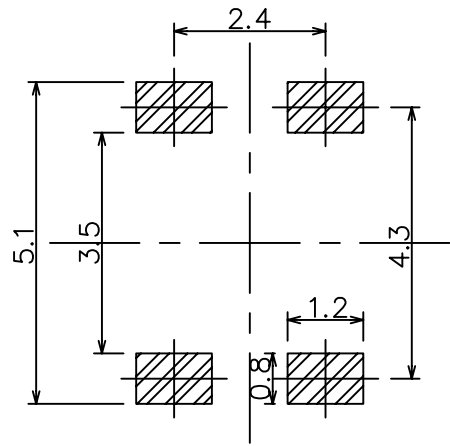


RoHS
Compatible

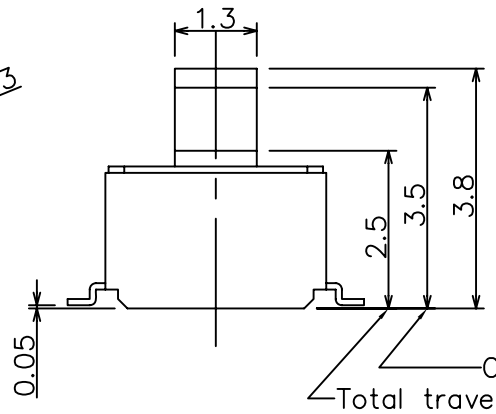
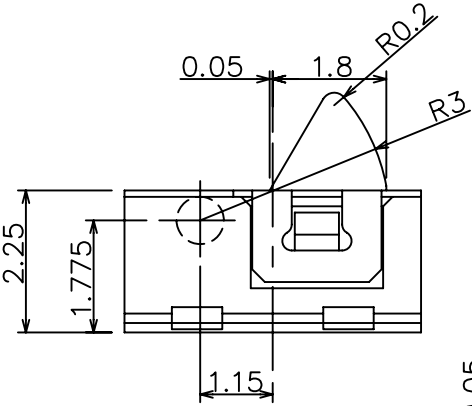
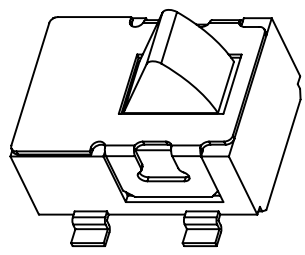
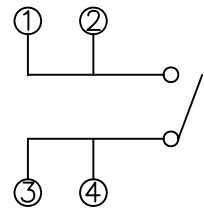
△				
△				
△				
△				
ZONE	REV	DESCRIPTION	DATE	APPD.



P.C.B Mounting pattern Dimension



Circuit Diagram



SPECIFICATIONS

1. Rating(max) : DC 5V, 1mA
2. Contact resistance : 1Ω max
3. Insulation resistance : 100mΩ min.100V DC
4. Withstanding voltage : 100 VAC 1min
5. Operating life : 100,000 cycles
6. Operating force : 36gf max

達立科技股份有限公司
Dawning Precision Co.,Ltd.
TEL: 886-2-82271388 FAX: 886-2-82272198

DESIGN	Will	SCALE		
DRAWING	Will	UNIT	mm	
CHECK	Will	SIZE	A4: 210*297	
APPROVAL	Eric	VERSION	01	

TOLERANCE UNLESS OTHERWISE STATED(mm)
less than 10 — ±0.2
10~30 — ±0.3
30~100 — ±0.5
ANGIE — ±2°

PART NAME	DETECTOR SWITCH
PART NO	DS-A40
DRAWING NO	
DATE	2009/09/11