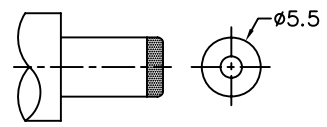
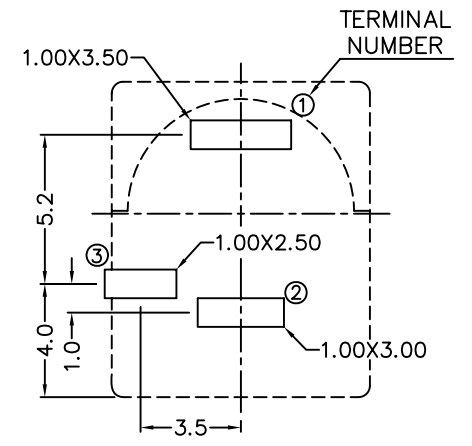
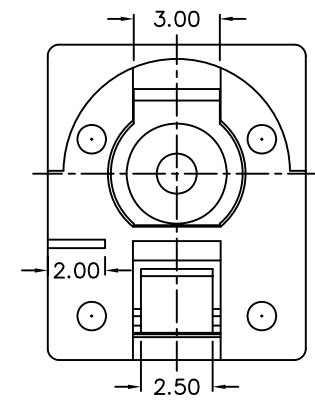
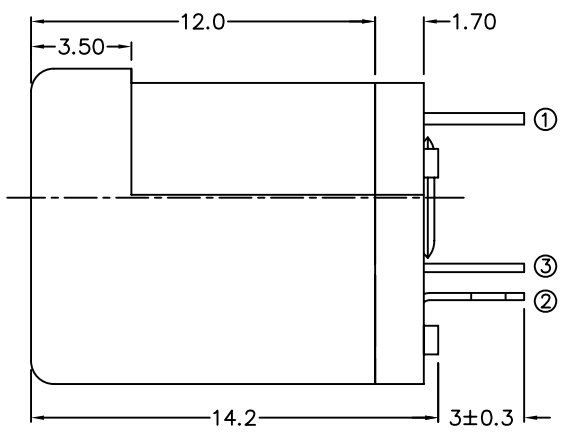
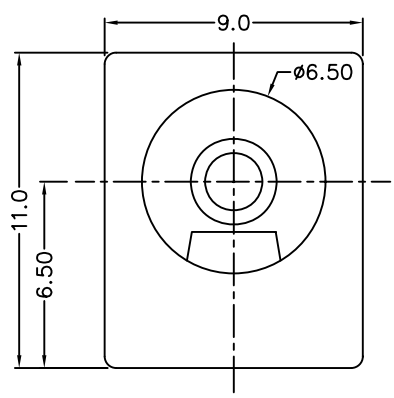
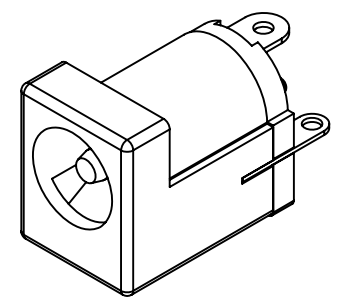


RoHS
Compatible

發行
2009.09.28
達立

△				
△				
△				
△				
ZONE	REV	DESCRIPTION	DATE	APPD.



DC MATE PLUG

MODEL NO.	DC-030
SCHEMATIC	
CENTER PIN	ø2mm
	ø2.5mm

*** MATERIAL**

- CENTRE PIN : COPPER ALLOY
- TERMINAL 1 : BRASS
- TERMINAL 2 : COPPER ALLOY
- TERMINAL 3 : BRASS
- HOUSING : PBT

達立科技股份有限公司
Dawning Precision Co., Ltd.
TEL: 886-2-82271388 FAX: 886-2-82272198

DESIGN	Will	SCALE		
DRAWING	Will	UNIT	mm	
CHECK	Will	SIZE	A4: 210*297	
APPROVAL	Eric	VERSION	01	

TOLERANCE UNLESS OTHERWISE STATED(mm)	PART NAME	DC POWER SOCKET
less than 10 — ±0.2	PART NO	DC-030
10 ⁻³ / ₁₆ 0 — ±0.3	DRAWING NO	
30 ¹ / ₁₆ 00 — ±0.5	DATE	2009/06/09
ANGLE — ±2°		