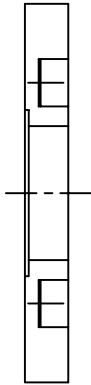
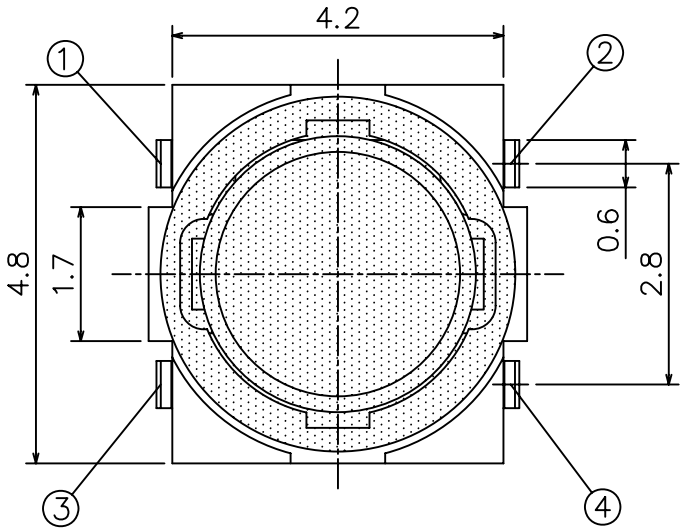
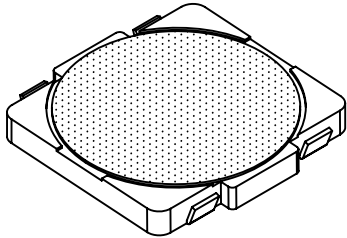
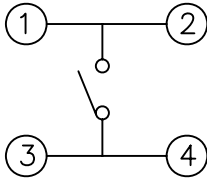


RoHS
Compatible

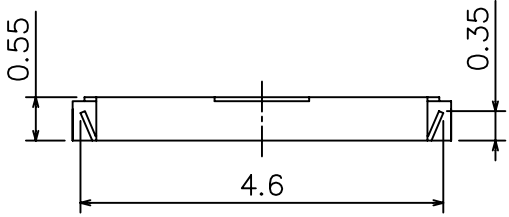
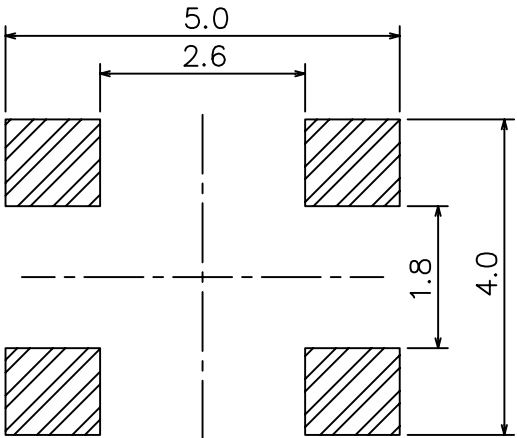
| | | | | |
|------|-----|-------------|------|-------|
| ▲ | | | | |
| ▲ | | | | |
| ▲ | | | | |
| ▲ | | | | |
| ZONE | REV | DESCRIPTION | DATE | APPD. |



Circuit diagram



P.C.B Mounting pattern Dimension



Specifications

1. Rating : 50mA, DC 12V Max.
2. Circuit : 1C-1P
3. Travel : 0.2±0.1 mm
4. Contact resistance : 100mΩ Max.
5. Operating force : 180,250±50gf
6. Operating life : 100,000 cycles

達立科技股份有限公司

Dawning Precision Co.,Ltd.

TEL: 886-2-82271388 FAX: 886-2-82272198

| | | | | |
|----------|------|---------|-------------|--|
| DESIGN | Will | SCALE | | |
| DRAWING | Will | UNIT | mm | |
| CHECK | Will | SIZE | A4: 210*297 | |
| APPROVAL | Eric | VERSION | 01 | |

| |
|---------------------------------------|
| TOLERANCE UNLESS OTHERWISE STATED(mm) |
| less than 10 — ±0.2 |
| 10~30 — ±0.3 |
| 30~100 — ±0.5 |
| ANGIE — ±2° |

| | |
|------------|-----------------|
| PART NAME | TACT SWITCH |
| PART NO | TS-A97AW SERIES |
| DRAWING NO | |
| DATE | 2008/08/26 |