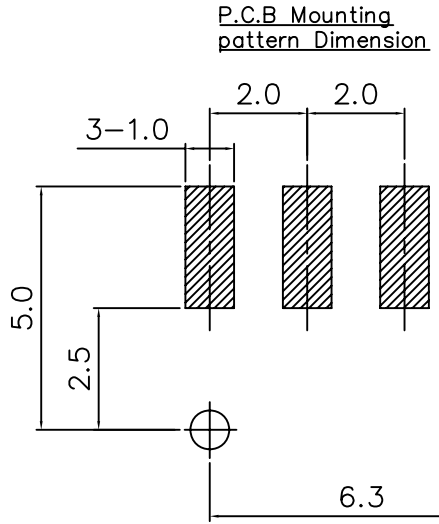
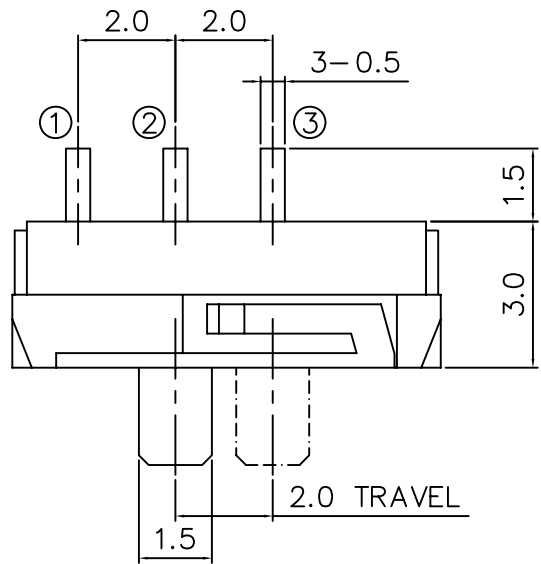
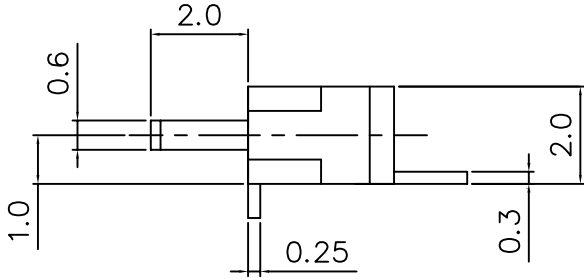
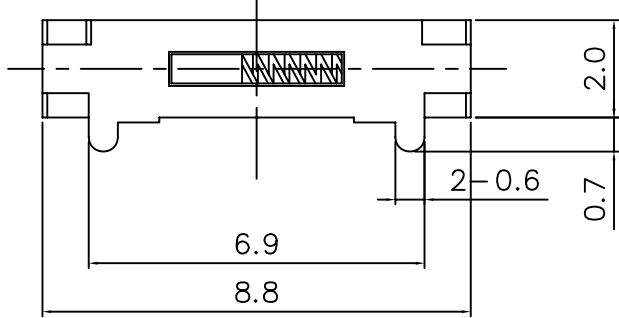
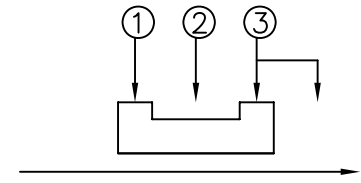


RoHS
Compatible

▲				
▲				
▲				
▲				
ZONE	REV	DESCRIPTION	DATE	APPD.



Circuit Diagram



Specifications

1. Rating : DC 6V 0.3A
2. Contact resistance : 70mΩ
3. Circuit : 1C-2P
4. Timing : non shorting
5. Travel : 2.0±0.1mm
6. Operating force : 150±100gf
7. Operating life : 10,000 cycles

達立科技股份有限公司
Dawning Precision Co., Ltd.
TEL: 886-2-82271388 FAX: 886-2-82272198

DESIGN	Will	SCALE		
DRAWING	Will	UNIT	mm	
CHECK	Will	SIZE	A4: 210*297	
APPROVAL	Eric	VERSION	01	

TOLERANCE UNLESS OTHERWISE STATED(mm)
less than 10 — ±0.2
10~30 — ±0.3
30~100 — ±0.5
ANGIE — ±2°

PART NAME	SLIDE SWITCH
PART NO	SS-B70R-S100
DRAWING NO	
DATE	2009/10/26