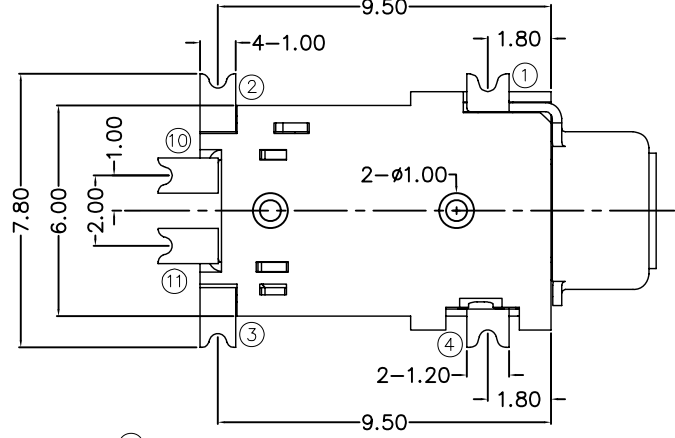
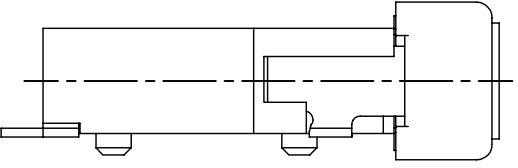
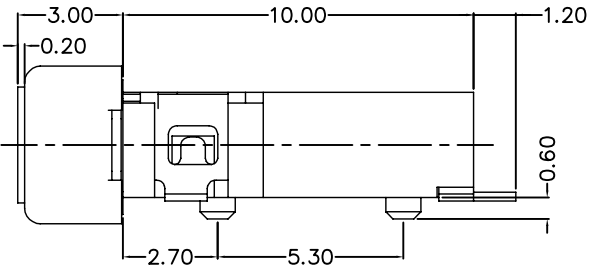
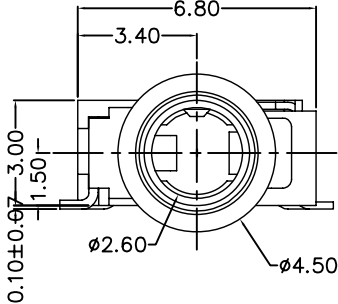
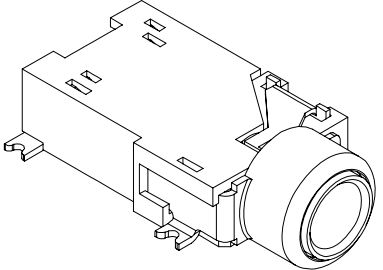
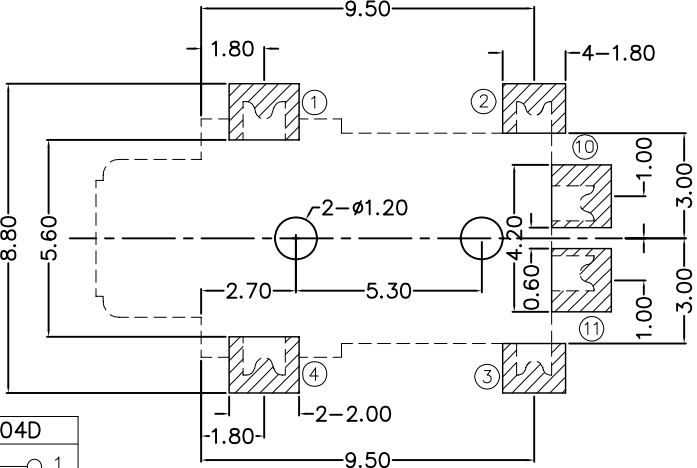


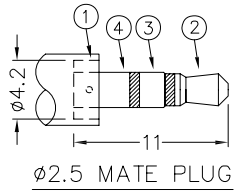
**RoHS**  
**Compatible**



**\* MATERIAL**  
 TERMINAL 1 : BRASS  
 TERMINAL 2 : COPPER ALLOY  
 TERMINAL 3 : COPPER ALLOY  
 TERMINAL 4 : COPPER ALLOY  
 TERMINAL 10 : BRASS  
 TERMINAL 11 : BRASS  
 HOUSING : PA6T



RECOMMENDED  
SOLDER PAD LAYOUT



| MODEL NO. | PJ-2906D | PJ-2905AD | PJ-2905BD | PJ-2904D |
|-----------|----------|-----------|-----------|----------|
| SCHEMATIC |          |           |           |          |

| △    |     |             |      |       |
|------|-----|-------------|------|-------|
| △    |     |             |      |       |
| △    |     |             |      |       |
| △    |     |             |      |       |
| ZONE | REV | DESCRIPTION | DATE | APPD. |

**達立科技股份有限公司**  
**Dawning Precision Co., Ltd.**  
 TEL: 886-2-82271388 FAX: 886-2-82272198

|          |      |         |             |  |
|----------|------|---------|-------------|--|
| DESIGN   | Will | SCALE   |             |  |
| DRAWING  | Will | UNIT    | mm          |  |
| CHECK    | Will | SIZE    | A4: 210*297 |  |
| APPROVAL | Eric | VERSION | 01          |  |

|                                       |
|---------------------------------------|
| TOLERANCE UNLESS OTHERWISE STATED(mm) |
| less than 10 — ±0.2                   |
| 10~30 — ±0.3                          |
| 30~100 — ±0.5                         |
| ANGIE — ±2'                           |

|            |                |
|------------|----------------|
| PART NAME  | PHONE JACK     |
| PART NO    | PJ-290D SERIES |
| DRAWING NO |                |
| DATE       | 2009/11/24     |