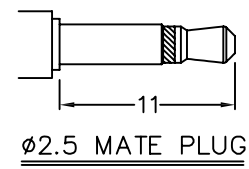
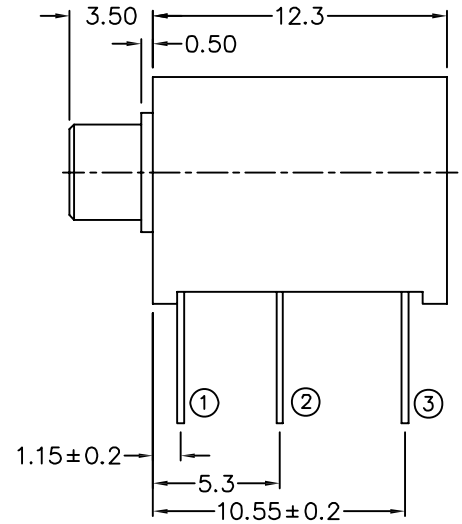
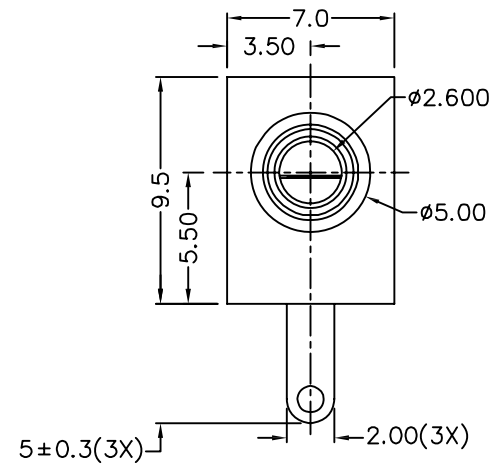
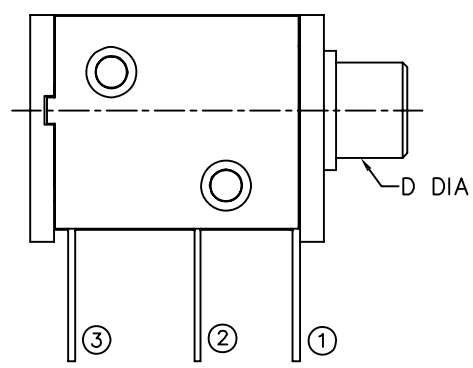
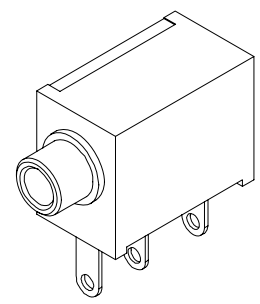


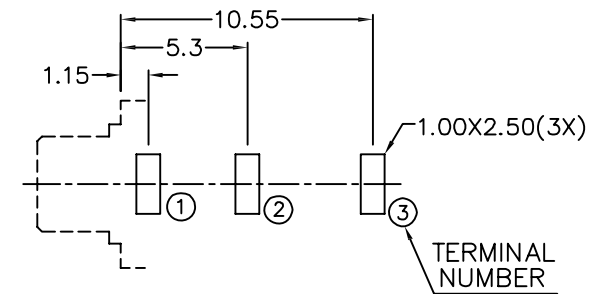
RoHS
Compatible

▲				
▲				
▲				
▲				
ZONE	REV	DESCRIPTION	DATE	APPD.



MODEL NO.	PJ-402N	PJ-402F
D DIA	THREADED	FLASHED
	M4X0.5	φ4.0
SCHEMATIC		

*** MATERIAL**
 TERMINAL 1 : BRASS
 TERMINAL 2 : COPPER ALLOY
 TERMINAL 3 : BRASS
 BUSHING : BRASS
 HOUSING : PBT
 COVER : PBT



PCB LAYOUT
(BOTTOM VIEW)

達立科技股份有限公司
Dawning Precision Co., Ltd.
 TEL: 886-2-82271388 FAX: 886-2-82272198

DESIGN	Will	SCALE		
DRAWING	Will	UNIT	mm	
CHECK	Will	SIZE	A4: 210*297	
APPROVAL	Eric	VERSION	01	

TOLERANCE UNLESS OTHERWISE STATED(mm)
less than 10 — ±0.2
10~30 — ±0.3
30~100 — ±0.5
ANGIE — ±2°

PART NAME	PHONE JACK
PART NO	PJ-402 SERIES
DRAWING NO	
DATE	2009/12/01