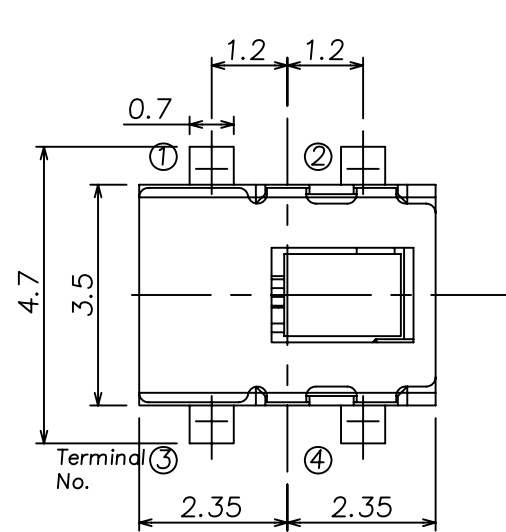
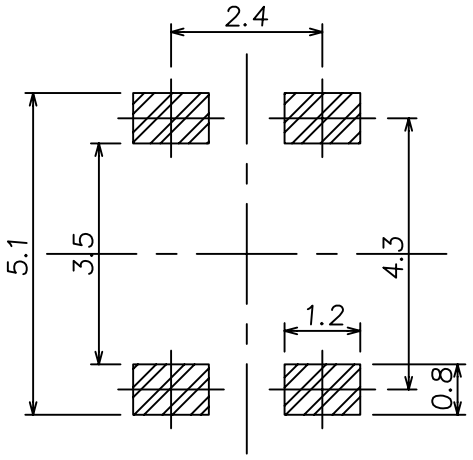


**RoHS**  
**Compatible**

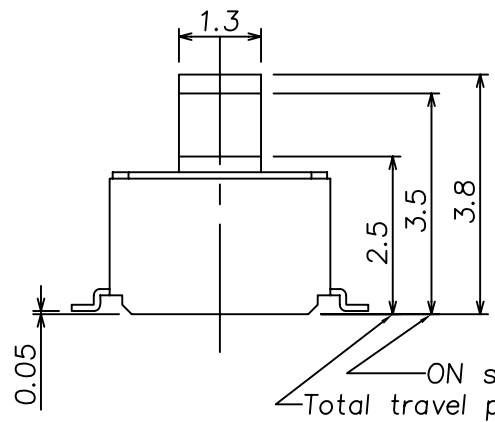
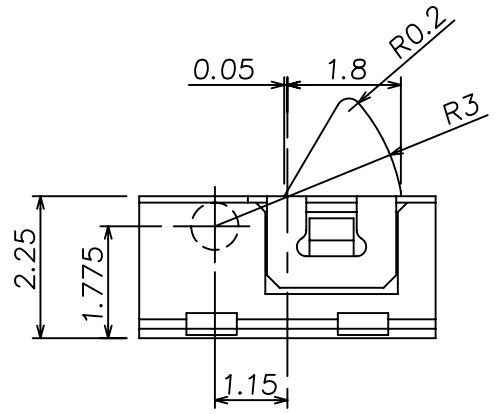
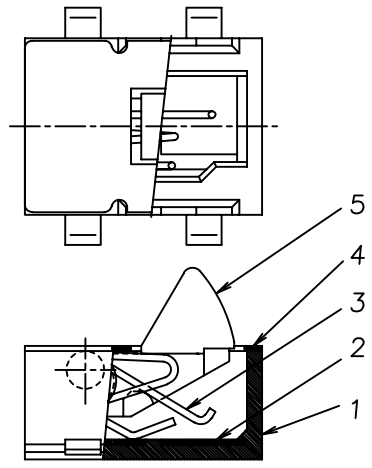
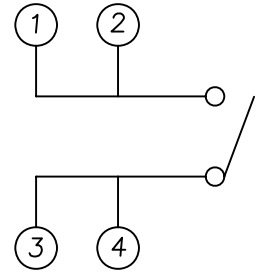
▲				
▲				
▲				
▲				
ZONE	REV	DESCRIPTION	DATE	APPD.



P.C.B Mounting pattern Dimension



Circuit Diagram



Specifications

1. Rating(Max) : DC 5V, 1mA
2. Contact resistance : 1Ω Max.
3. Insulation resistance : 100mΩ Min.100V DC
4. Withstanding voltage : 100 VAC 1min
5. Operating life : 100,000 cycles Min.
6. Operating force : 36gf Max.

No.	Part Name	Material	Q'ty	Finishing
5	Knob	Polyamide	1	Black
4	Cover	Stainless Steel	1	
3	Spring	Brass	1	Ag Plated
2	Terminal	Brass	4	Ag Plated
1	Housing	Polyamide	1	Natural

**達立科技股份有限公司**  
**Dawning Precision Co., Ltd.**  
TEL: 886-2-82271388 FAX: 886-2-82272198

DESIGN	Will	SCALE		
DRAWING	Will	UNIT	mm	
CHECK	Will	SIZE	A4: 210*297	
APPROVAL	Eric	VERSION	01	

TOLERANCE UNLESS OTHERWISE STATED(mm)	PART NAME	DETECTOR SWITCH
less than 10 — ±0.2	PART NO	DS-A40
10~30 — ±0.3	DRAWING NO	
30~100 — ±0.5	DATE	2009/08/17
ANGIE — ±2°		