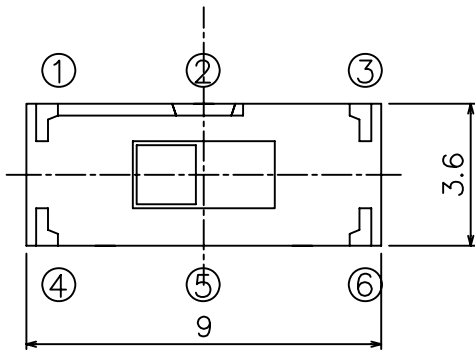
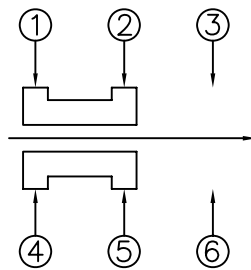


**RoHS**  
**Compatible**

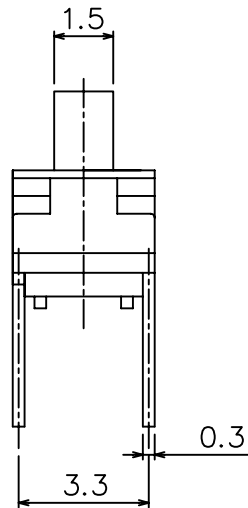
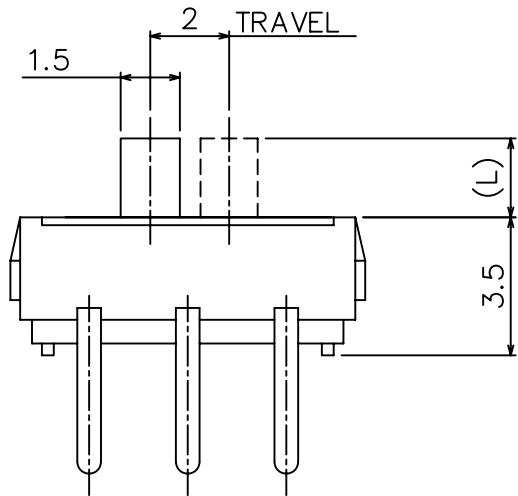
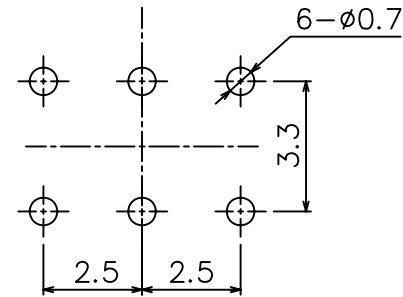
▲				
▲				
▲				
▲				
ZONE	REV	DESCRIPTION	DATE	APPD.



Circuit Diagram



P.C.B Mounting pattern Dimension



Specifications

1. Rating : DC 6V, 0.3A
2. Contact Resistance : 70mΩ Max.
3. Travel : 2.0 mm
4. Operating force : 150±100gf
5. Operating life : 10,000 cycles

Model#	L(mm)
D35	2.0
D35A	4.0

達立科技股份有限公司

**Dawning Precision Co., Ltd.**  
TEL: 886-2-82271388 FAX: 886-2-82272198

DESIGN	Will	SCALE		
DRAWING	Will	UNIT	mm	
CHECK	Will	SIZE	A4: 210*297	
APPROVAL	Eric	VERSION	01	

TOLERANCE UNLESS OTHERWISE STATED(mm)
less than 10 — ±0.2
10~30 — ±0.3
30~100 — ±0.5
ANGIE — ±2°

PART NAME	SLIDE SWITCH
PART NO	SS-D35
DRAWING NO	
DATE	2008/09/25