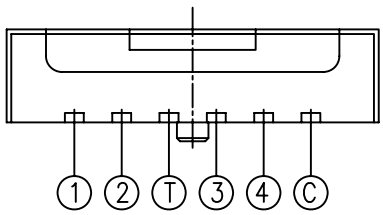
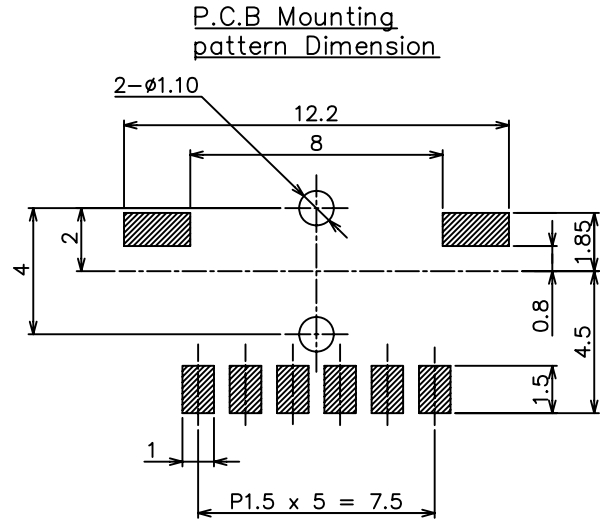
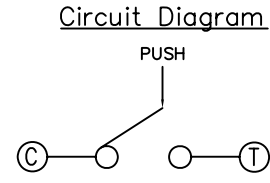
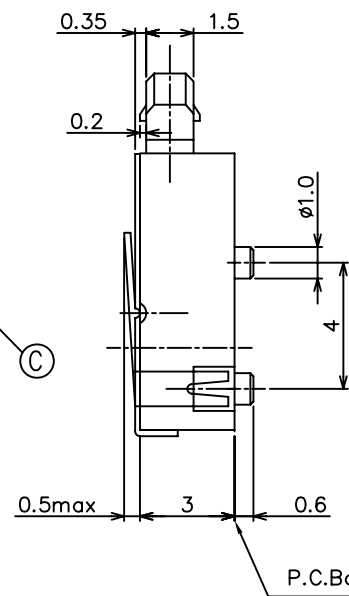
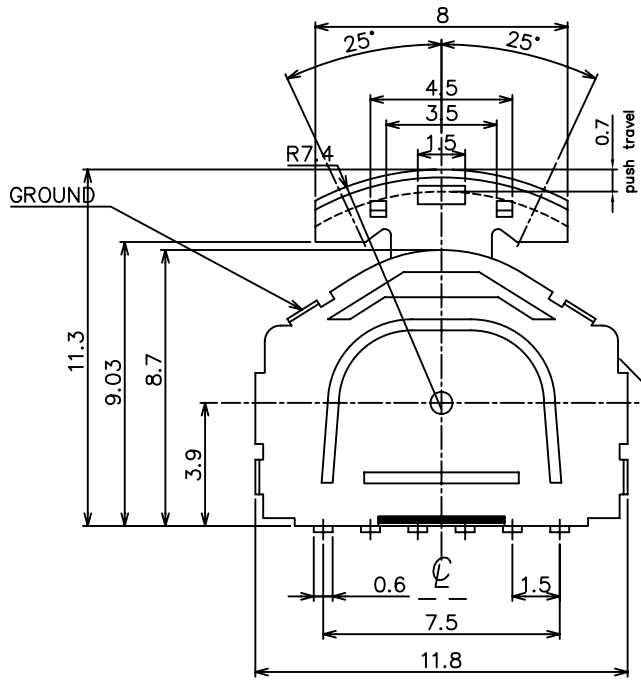


RoHS
Compatible

△				
△				
△				
△				
ZONE	REV	DESCRIPTION	DATE	APPD.



Code Table

Angle	25°	σ	25°
Terminal	(21.5°)(11°)	(11°)(21.5°)	
①	ON		
②	ON		
③			ON
④			ON
ⓐ	ON	ON	ON

CCW ← → CW

- Specification
- Rating : 10mA 5V DC
 - Operating force :
70±50gf (lever portion)
200±100gf (push portion)
 - Life : 100,000 cycles

達立科技股份有限公司
Dawning Precision Co., Ltd.
TEL: 886-2-82271388 FAX: 886-2-82272198

DESIGN	Will	SCALE		
DRAWING	Will	UNIT	mm	
CHECK	Will	SIZE	A4: 210*297	
APPROVAL	Eric	VERSION	01	

TOLERANCE UNLESS OTHERWISE STATED(mm)	PART NAME	PUSH & LEVER SWITCH
less than 10 — ±0.2	PART NO	K01A-S033
10~30 — ±0.3	DRAWING NO	
30~100 — ±0.5	DATE	2009/10/29
ANGIE — ±2°		