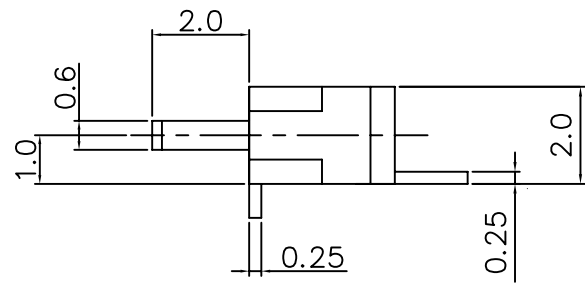
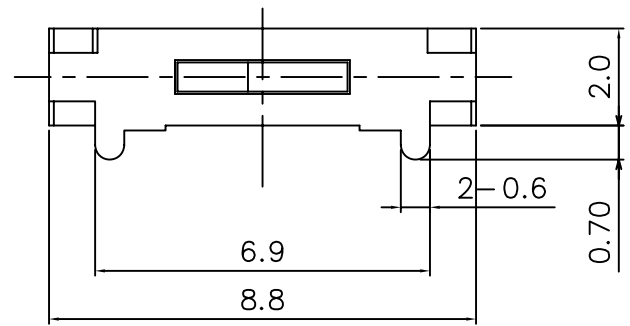
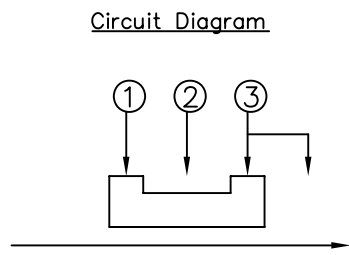
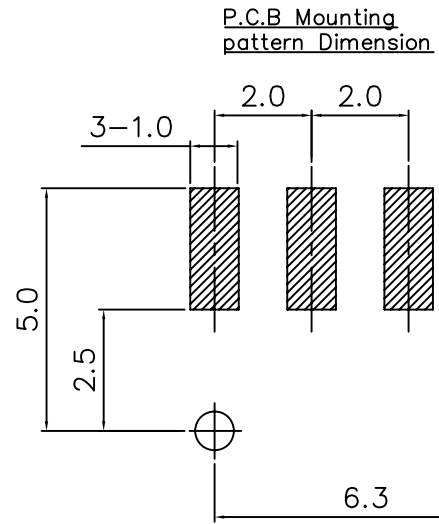
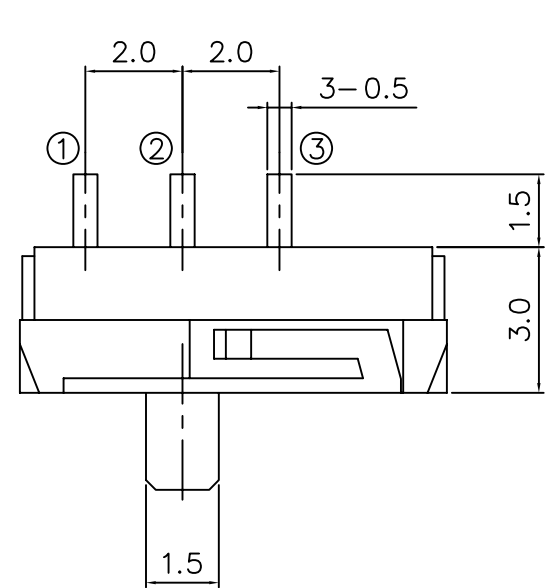


**RoHS**  
**Compatible**

▲				
▲				
▲				
▲				
ZONE	REV	DESCRIPTION	DATE	APPD.



- Specifications**
1. Rating : DC 6V 0.3A
  2. Circuit : 1C-2P
  3. Contact resistance : 70mΩ
  4. Timing : non shorting
  5. Travel : 2±0.1mm
  6. Operating force : 150±100gf
  7. Operating life : 10,000 cycles

**達立科技股份有限公司**  
**Dawning Precision Co., Ltd.**  
TEL: 886-2-82271388 FAX: 886-2-82272198

DESIGN	Will	SCALE		
DRAWING	Will	UNIT	mm	
CHECK	Will	SIZE	A4: 210*297	
APPROVAL	Eric	VERSION	01	

TOLERANCE UNLESS OTHERWISE STATED(mm)
less than 10 — ±0.2
10~30 — ±0.3
30~100 — ±0.5
ANGIE — ±2°

PART NAME	SLIDE SWITCH
PART NO	SS-B70-S100
DRAWING NO	
DATE	2008/05/23