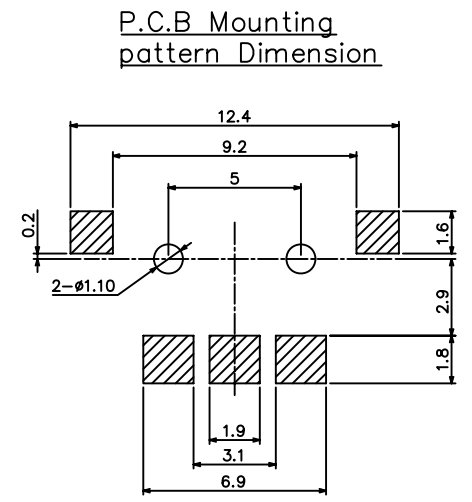
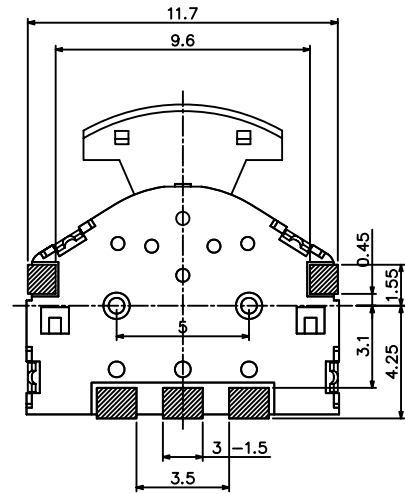
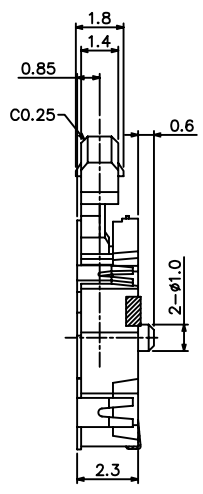
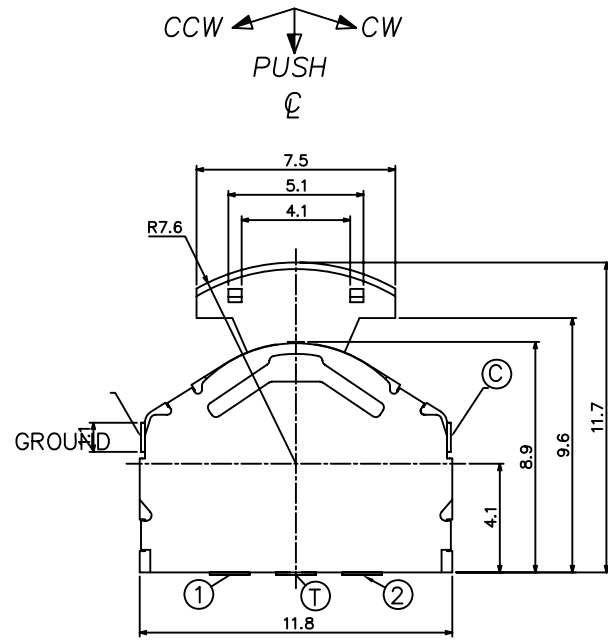
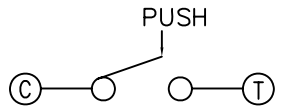


RoHS
Compatible

△				
△				
△				
△				
ZONE	REV	DESCRIPTION	DATE	APPD.



Circuit Diagram



CODE TABLE

TER	ANG.	(25°)	(18°)	(18°)	(25°)
①		ON			
②				ON	
③		ON		ON	

0° (ON) (hatched)
CCW ← → CW

Specifications

- Rating : DC 5V, 10mA
- Contact resistance : 100mΩ Max.
- Travel : 0.9 mm Min. (push portion)
ANGLE : 25° min
- Operating force
: lever portion 70±30gf
: push portion 200±100gf
- Operating life : 100,000 cycles

達立科技股份有限公司
Dawning Precision Co., Ltd.
TEL: 886-2-82271388 FAX: 886-2-82272198

DESIGN	Will	SCALE		
DRAWING	Will	UNIT	mm	
CHECK	Will	SIZE	A4: 210*297	
APPROVAL	Eric	VERSION	01	

TOLERANCE UNLESS OTHERWISE STATED(mm)	PART NAME	PUSH & LEVER SWITCH
less than 10 ±0.2	PART NO	K01C-S033
10~30 ±0.3	DRAWING NO	
30~100 ±0.5	DATE	2010/02/02
ANGIE ±2°		