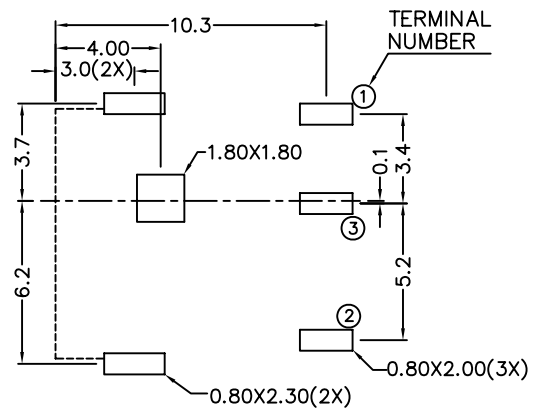
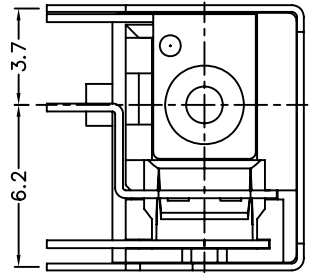
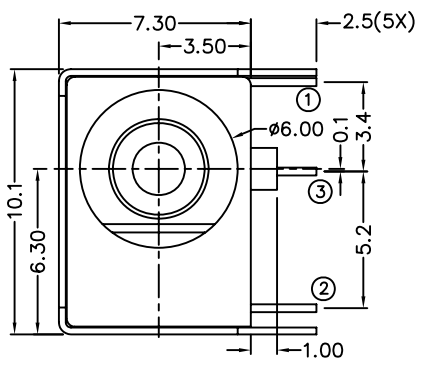
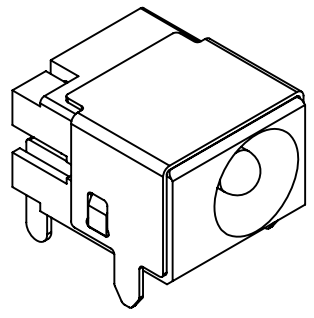
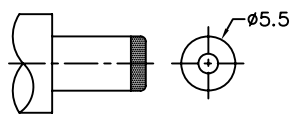


**RoHS**  
**Compatible**

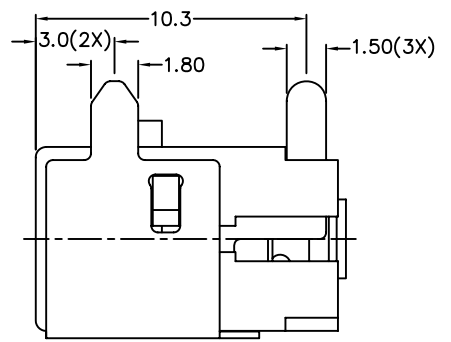
|      |     |             |      |       |
|------|-----|-------------|------|-------|
| △    |     |             |      |       |
| △    |     |             |      |       |
| △    |     |             |      |       |
| △    |     |             |      |       |
| ZONE | REV | DESCRIPTION | DATE | APPD. |



PCB LAYOUT  
(BOTTOM VIEW)



DC MATE PLUG



|            |         |
|------------|---------|
| MODEL NO.  | DC-048S |
| SCHEMATIC  |         |
| CENTER PIN | ø1.65mm |
|            | ø2mm    |
|            | ø2.5mm  |

**\* MATERIAL**  
 CENTRE PIN : COPPER  
 TERMINAL 1 : BRASS  
 TERMINAL 2 : COPPER ALLOY  
 TERMINAL 3 : BRASS  
 SHIELD : BRASS  
 HOUSING : PBT

**達立科技股份有限公司**



**Dawning Precision Co., Ltd.**

TEL: 886-2-82271388 FAX: 886-2-82272198

|          |      |         |             |  |
|----------|------|---------|-------------|--|
| DESIGN   | Will | SCALE   |             |  |
| DRAWING  | Will | UNIT    | mm          |  |
| CHECK    | Will | SIZE    | A4: 210*297 |  |
| APPROVAL | Eric | VERSION | 01          |  |

|                                       |
|---------------------------------------|
| TOLERANCE UNLESS OTHERWISE STATED(mm) |
| less than 10 — ±0.2                   |
| 10~30 — ±0.3                          |
| 30~100 — ±0.5                         |
| ANGLE — ±2'                           |

|            |                 |
|------------|-----------------|
| PART NAME  | DC POWER SOCKET |
| PART NO    | DC-048S         |
| DRAWING NO |                 |
| DATE       | 2009/06/10      |