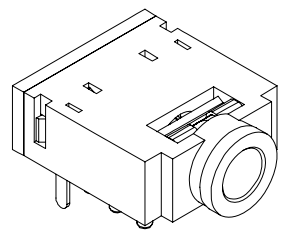
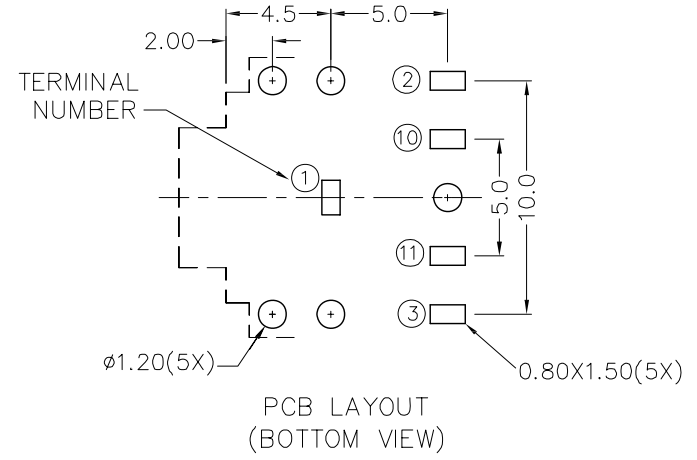
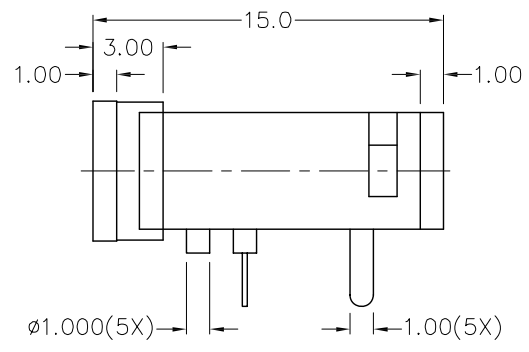
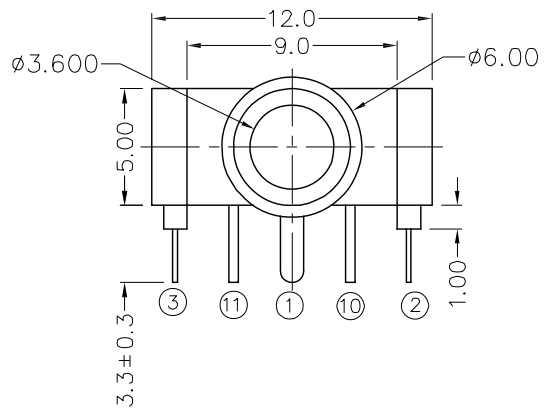


RoHS
Compatible

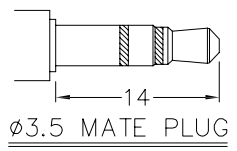


▲				
▲				
▲				
▲				
ZONE	REV	DESCRIPTION	DATE	APPD.



MODEL NO.	PJ-3515C	PJ-3514AC	PJ-3514BC	PJ-3513C	PJ-3513AC	PJ-3512C
SCHEMATIC						

- *MATERIAL**
- TERMINAL 1 : COPPER ALLOY
 - TERMINAL 2 : COPPER ALLOY
 - TERMINAL 3 : COPPER ALLOY
 - TERMINAL 10 : BRASS
 - TERMINAL 11 : BRASS
 - BUSHING : BRASS
 - HOUSING : PBT
 - COVER : PBT



達立科技股份有限公司
Dawning Precision Co., Ltd.
TEL: 886-2-82271388 FAX: 886-2-82272198

DESIGN	Will	SCALE		
DRAWING	Will	UNIT	mm	
CHECK	Will	SIZE	A4: 210*297	
APPROVAL	Eric	VERSION	01	

TOLERANCE UNLESS OTHERWISE STATED(mm)	PART NAME	PHONE JACK
less than 10 — ±0.2	PART NO	PJ-351C SERIES
10~30 — ±0.3	DRAWING NO	
30~100 — ±0.5	DATE	2009/11/24
ANGIE — ±2°		