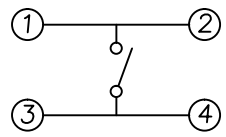


△				
△				
△				
△				
ZONE	REV	DESCRIPTION	DATE	APPD.

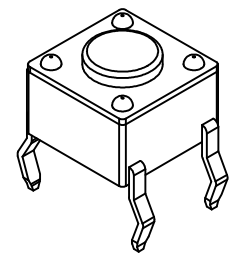
RoHS
Compatible

發行
2014.08.26
達立

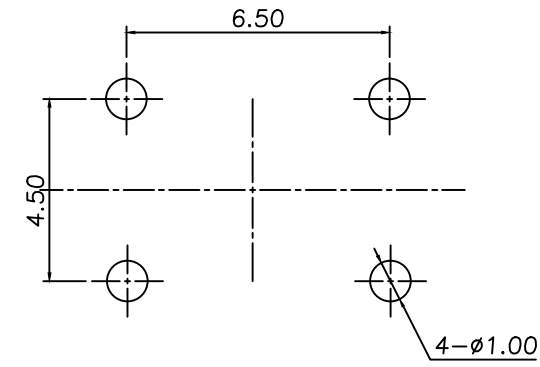
Circuit diagram



*Order Information:
TS-A02--S085
Force
Height



P.C.B Mounting
pattern Dimension



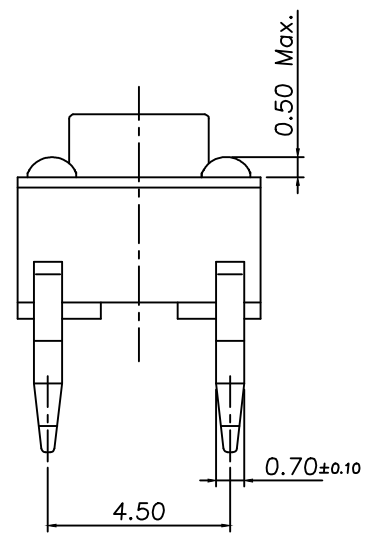
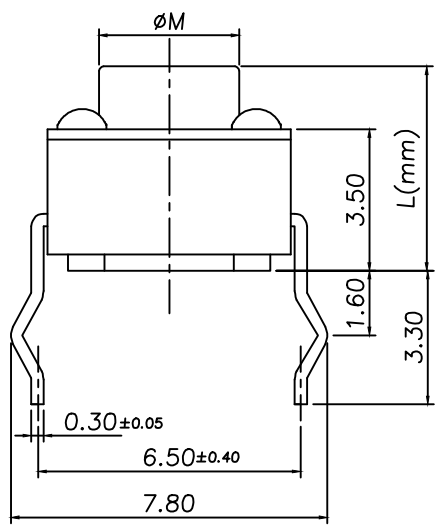
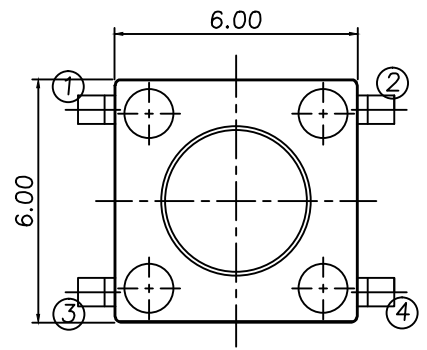
Knob height

Model	L	M
TS-A02	4.3	3.5
TS-A02AS	4.5	3.5
TS-A02A	5.0	3.5
TS-A02AL	5.5	3.4
TS-A02I	6.0	3.4
TS-A02IL	6.5	3.4
TS-A02B	7.0	3.4
TS-A02E	7.3	3.4
TS-A02EL	7.5	3.4
TS-A02C	8.0	3.4
TS-A02R	8.5	3.4
TS-A02M	9.0	3.4
TS-A02D	9.5	3.4
TS-A02H100	10.0	3.0
TS-A02KS	10.5	3.0
TS-A02O	11.0	3.0
TS-A02KL	11.5	3.0
TS-A02FS	12.0	3.0
TS-A02F	12.5	3.0
TS-A02K	13.0	3.0
TS-A02G	13.5	3.0
TS-A02GL	14.0	3.0
TS-A02H145	14.5	3.0
TS-A02Y	15.0	3.0
TS-A02Z	16.0	3.0
TS-A02J	16.3	3.0
TS-A02H	17.0	3.0
TS-A02N	18.0	3.0

Specifications

- Rating : 50mA 12V DC
- Contact resistance : 100mΩ Max.
- Insulation resistance : 100MΩ min, 100V DC
- Travel : 0.25±0.1mm

Model	Operating Force	Life Cycles
TS-A02	100±50gf	100,000 cycle Min.
TS-A02-1	130±50gf	
TS-A02-2	160±50gf	
TS-A02-3	250±50gf	



NO	Part Name	Material	Q"ty	Finishing
5	TERMINAL	Bras	1	Ag Plated
4	CASE	PPA	1	Black
3	CONTACT	PBS	1	
2	COVER	Brass	4	Tin Plated
1	STEM	PPA	1	Black

達立科技股份有限公司
Dawning Precision Co., Ltd.
TEL: 886-2-82271388 FAX: 886-2-82272198

DESIGN	Ross	SCALE	
DRAWING	Ross	UNIT	mm
CHECK	Elsa	SIZE	A4: 210*297
APPROVAL	Eric	VERSION	01

TOLERANCE UNLESS OTHERWISE STATED(mm)	PART NAME	TACT SWITCH
less than 10 — ±0.3	PART NO	TS-A02x-x-S085 SERIES
10~30 — ±0.4	DRAWING NO	
30~100 — ±0.5	DATE	2014/08/26
ANGLE — ±2°		

www.dawning2.com.tw