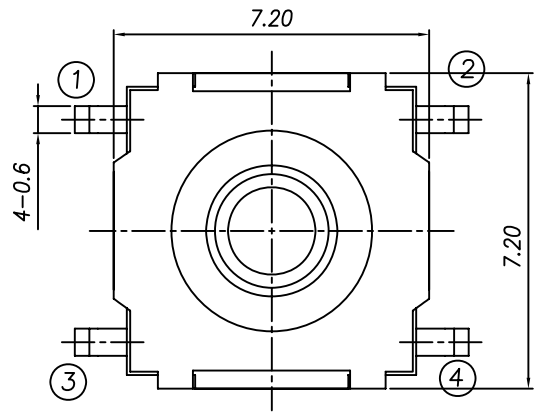
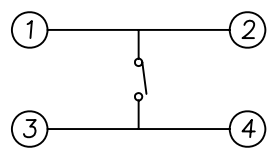


**RoHS**  
**Compatible**

△				
△				
△				
△				
ZONE	REV	DESCRIPTION	DATE	APPD.

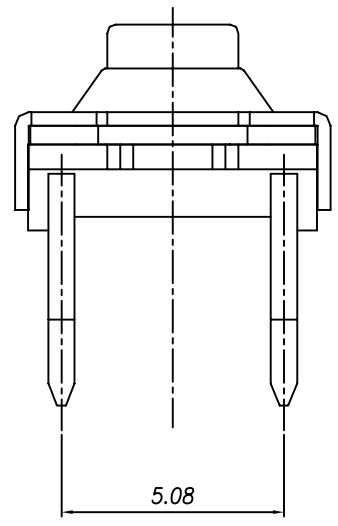
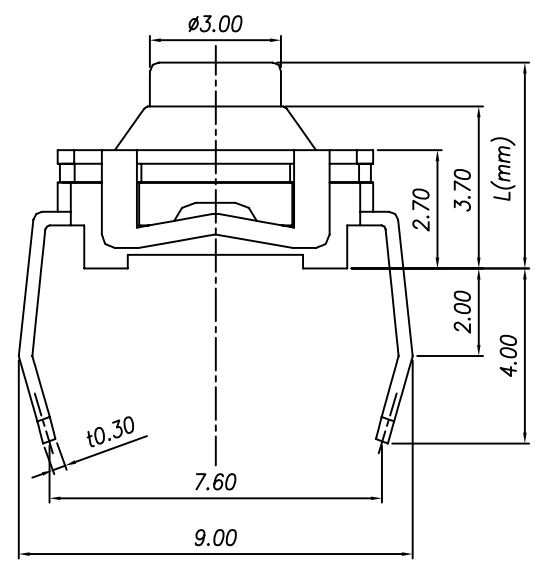
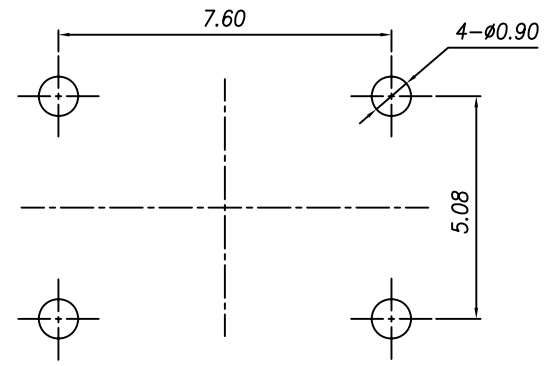


Circuit Diagram

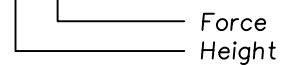


Model#	L(mm)
TS-A10A	4.7
TS-A10B	5.2
TS-A10C	6.9
TS-A10D	10.0

P.C.B Mounting pattern Dimension



Order Information:  
TS-A10--S033



Specification

- Rating : 50mA, DC12V Max.
- Contact resistance : 100mΩ Max.
- Bounce : 10m sec Max.
- Travel : 0.5±0.2mm.

Model#	Operating Force	Life Cycles
TS-A10-1	130±50gf	300,000 Cycles
TS-A10-2	160±50gf	300,000 Cycles
TS-A10-4	300±50gf	100,000 Cycles
TS-A10-5	500±100gf	80,000 Cycles

**達立科技股份有限公司**  
**Dawning Precision Co., Ltd.**  
TEL: 886-2-82271388 FAX: 886-2-82272198

DESIGN	Will	SCALE		
DRAWING	Will	UNIT	mm	
CHECK	Will	SIZE	A4: 210*297	
APPROVAL	Eric	VERSION	01	

TOLERANCE UNLESS OTHERWISE STATED(mm)	PART NAME	TACT SWITCH
less than 10 ±0.2	PART NO	TS-A10 SERIES
10~30 ±0.3	DRAWING NO	
30~100 ±0.5	DATE	2009/12/02
ANGIE ±2°		