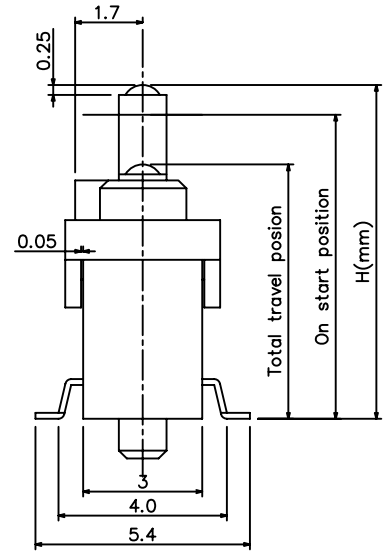
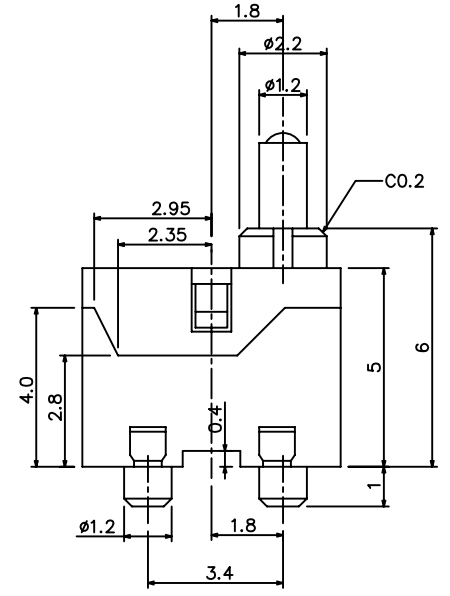
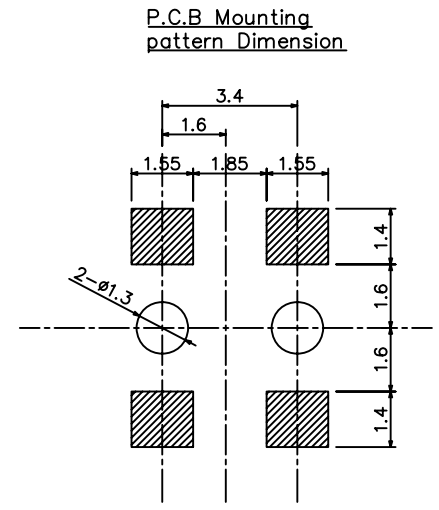
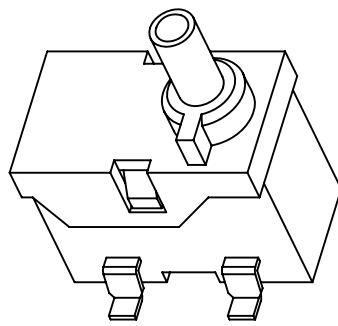
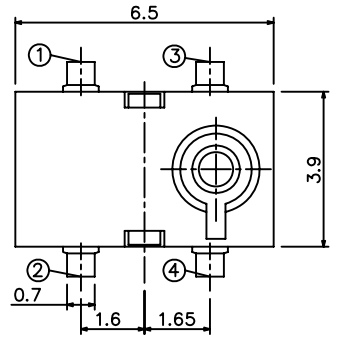


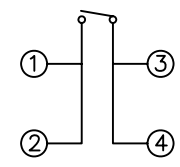
RoHS
Compatible

△				
△				
△				
△				
ZONE	REV	DESCRIPTION	DATE	APPD.

□	H(mm)	Total travel	On start
—	8.4	6.4	7.65
L	10.7	8.7	9.95



Circuit Diagram



達立科技股份有限公司
Dawning Precision Co., Ltd.
TEL: 886-2-82271388 FAX: 886-2-82272198

DESIGN	Will	SCALE			TOLERANCE UNLESS OTHERWISE STATED(mm)	PART NAME	DETECTOR SWITCH
DRAWING	Will	UNIT	mm		less than 10 — ±0.2	PART NO	DS-A30 SERIES
CHECK	Will	SIZE	A4: 210*297		10~30 — ±0.3	DRAWING NO	
APPROVAL	Eric	VERSION	01		30~100 — ±0.5	DATE	2010/02/02
					ANGIE — ±2'		

						PART NAME	DETECTOR SWITCH
						PART NO	DS-A30 SERIES
						DRAWING NO	
						DATE	2010/02/02