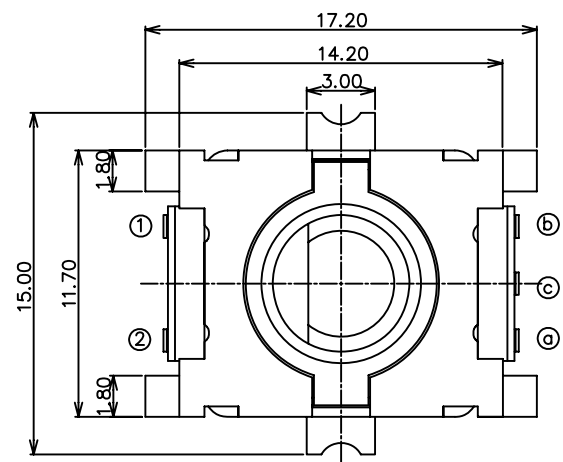
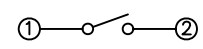


**RoHS**  
**Compatible**

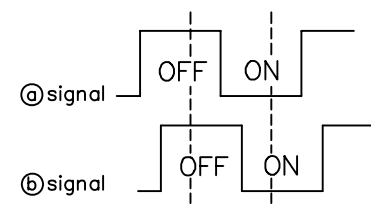
△				
△				
△				
△				
ZONE	REV	DESCRIPTION	DATE	APPD.



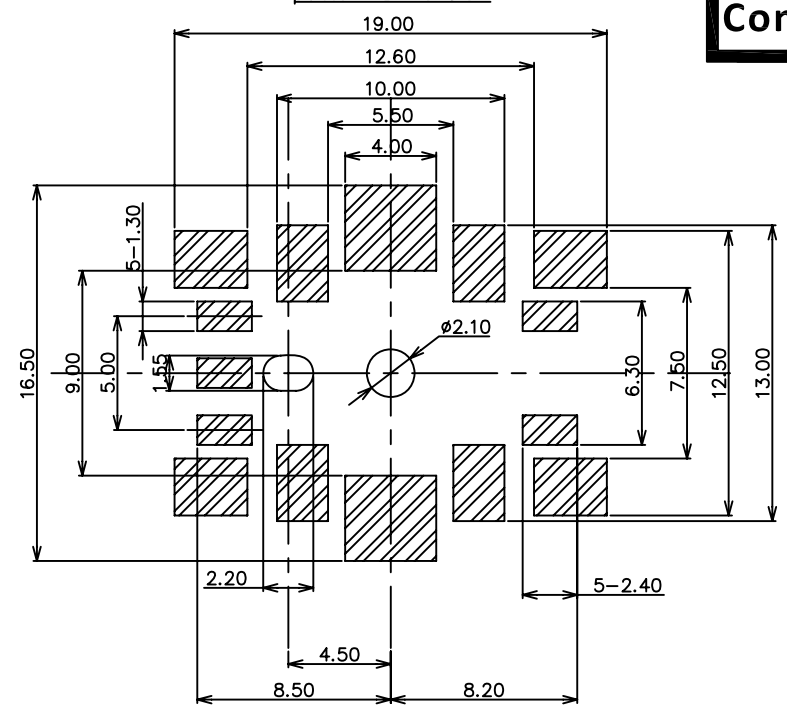
Circuit diagram



CW direction

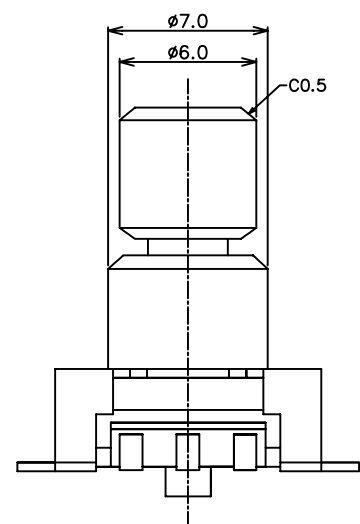
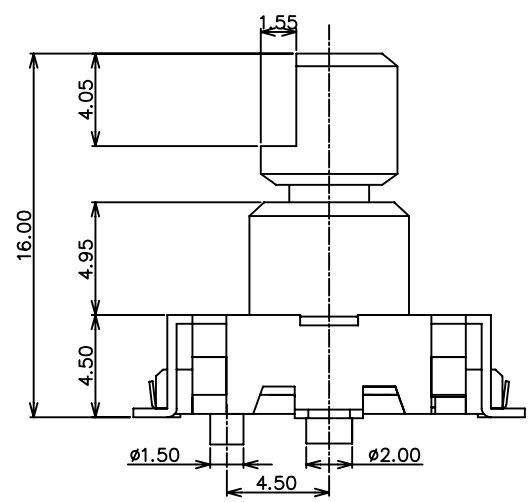
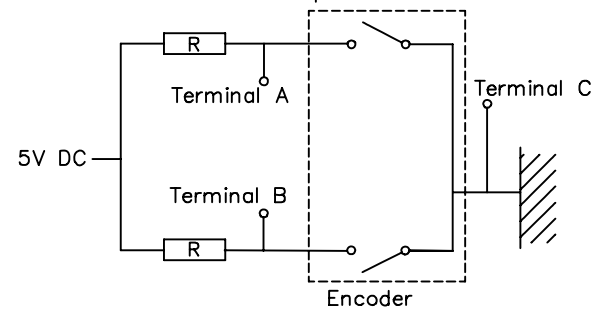


Detent stability point



Measurement condition

: Rotation speed 360°/s



**達立科技股份有限公司**  
**Dawning Precision Co., Ltd.**  
TEL: 886-2-82271388 FAX: 886-2-82272198

DESIGN	Will	SCALE		
DRAWING	Will	UNIT	mm	
CHECK	Will	SIZE	A4: 210*297	
APPROVAL	Eric	VERSION	01	

TOLERANCE UNLESS OTHERWISE STATED(mm)	PART NAME	ENCODER SWITCH
less than 10 — ±0.2	PART NO	SM-006GJ
10~30 — ±0.3	DRAWING NO	
30~100 — ±0.5	DATE	2010/02/02
ANGIE — ±2°		