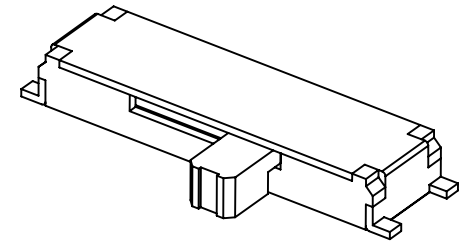
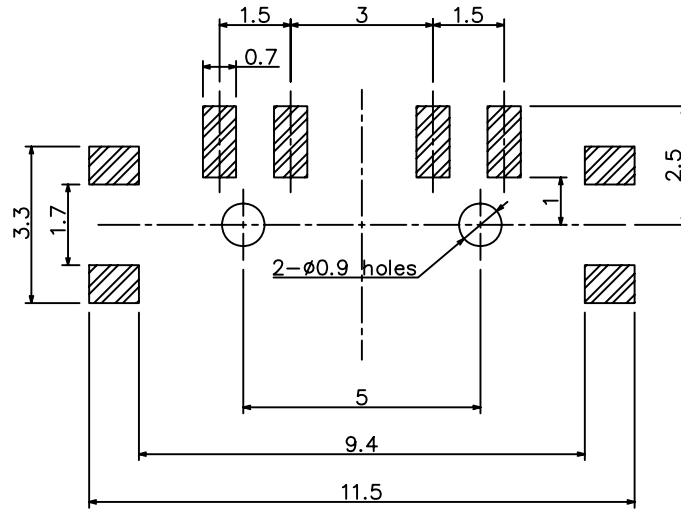
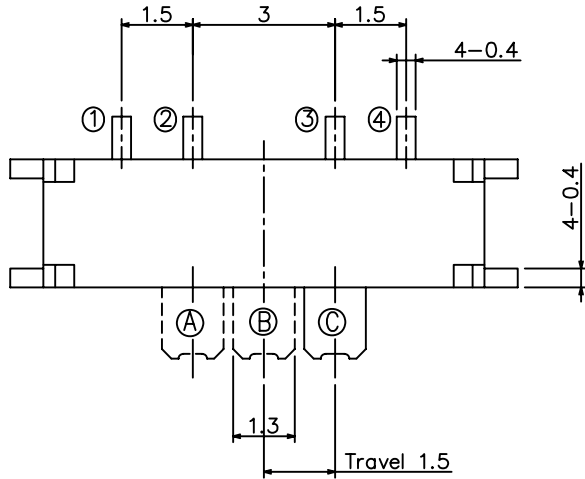


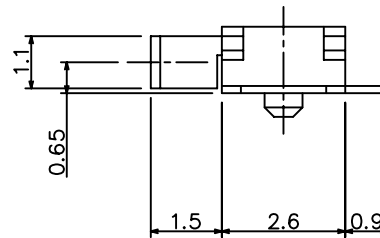
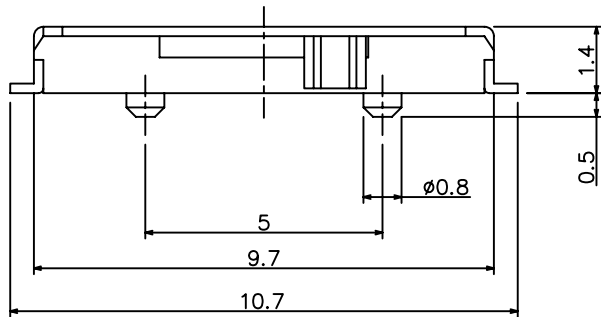
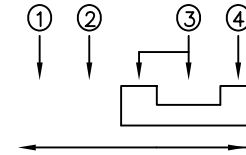
**RoHS**  
**Compatible**

△				
△				
△				
△				
ZONE	REV	DESCRIPTION	DATE	APPD.

P.C.B Mounting  
pattern Dimension



Circuit diagram



Specification

1. Rating : 0.3A, DC4V Max.
2. Contact Resistance : 70mΩ Max.
3. Travel : 1.5±0.3mm.
4. Operating force :
  - (A) → (B) ← (C) 150±100gf
  - (A) ← (B) → (C) 200±100gf
5. Operating life : 10,000 cycles.

達立科技股份有限公司

**Dawning Precision Co., Ltd.**

TEL: 886-2-82271388 FAX: 886-2-82272198

DESIGN	Will	SCALE		
DRAWING	Will	UNIT	mm	
CHECK	Will	SIZE	A4: 210*297	
APPROVAL	Eric	VERSION	01	

TOLERANCE UNLESS OTHERWISE STATED(mm)
less than 10 — ±0.2
10~30 — ±0.3
30~100 — ±0.5
ANGIE — ±2°

PART NAME	SLIDE SWITCH
PART NO	SS-C00AP-B-S001
DRAWING NO	
DATE	2008/09/12