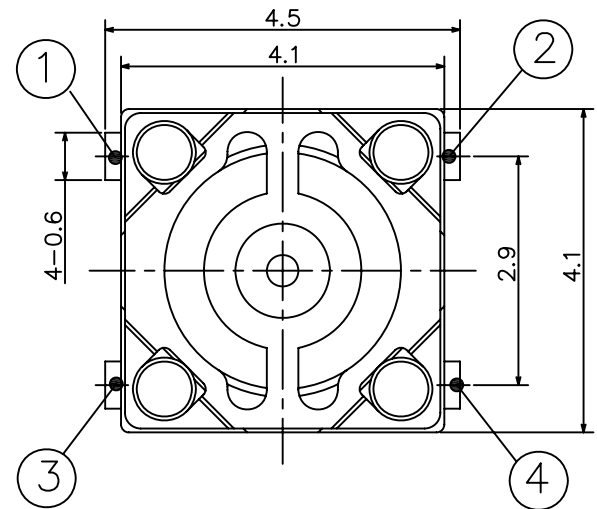
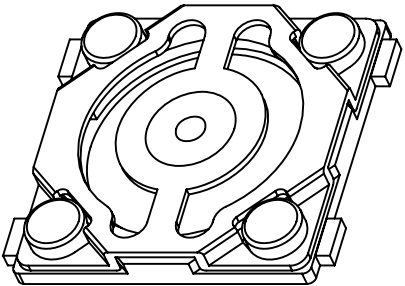
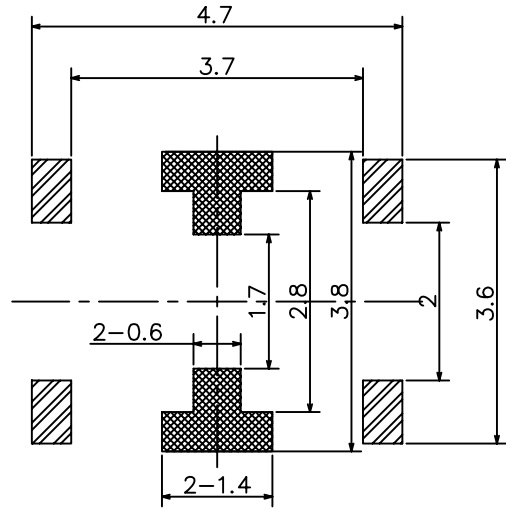


RoHS
Compatible

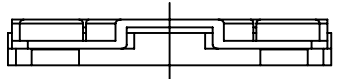
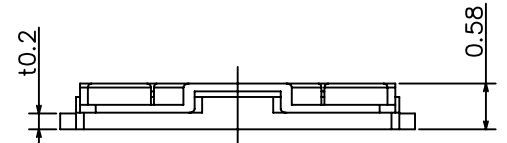
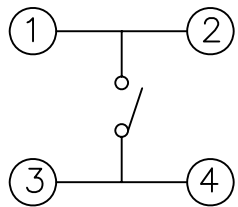
▲				
▲				
▲				
▲				
ZONE	REV	DESCRIPTION	DATE	APPD.



P.C.B Mounting pattern Dimension



CIRCUIT DIAGRAM



SPECIFICATION

1. Rating : DC 12V 20mA
2. Travel : 0.25±0.1mm.
3. Contact Resistance : 100mΩ max
4. Bounce : 8m sec max
5. Operating Force : 160/250/350±50gf
6. Life Cycles : 100,000 cycle

達立科技股份有限公司
Dawning Precision Co.,Ltd.
TEL: 886-2-82271388 FAX: 886-2-82272198

DESIGN	Will	SCALE		
DRAWING	Will	UNIT	mm	
CHECK	Will	SIZE	A4: 210*297	
APPROVAL	Eric	VERSION	01	

TOLERANCE UNLESS OTHERWISE STATED(mm)	PART NAME	TACT SWITCH
less than 10 — ±0.2	PART NO	TSAA01-158 SERIES
10~30 — ±0.3	DRAWING NO	
30~100 — ±0.5	DATE	2009/08/06
ANGIE — ±2°		