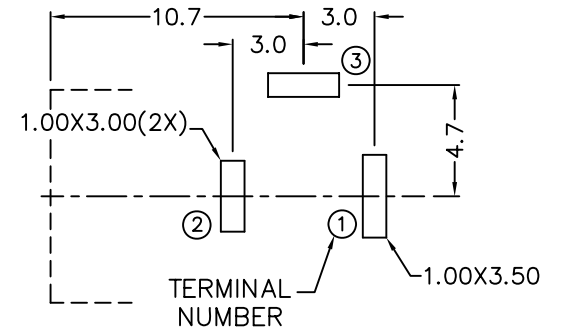
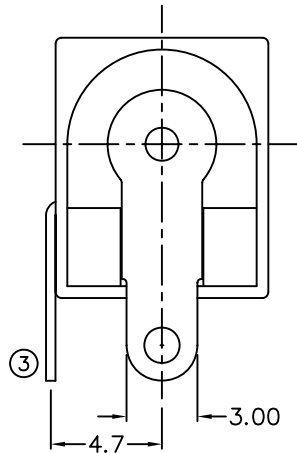
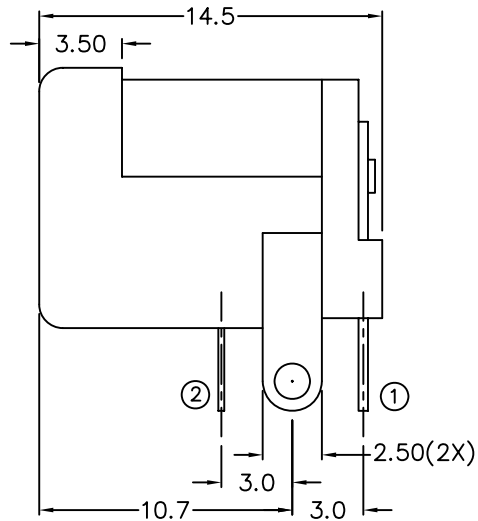
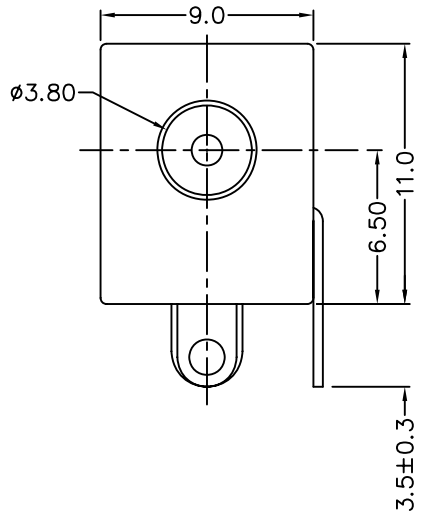
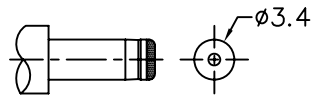
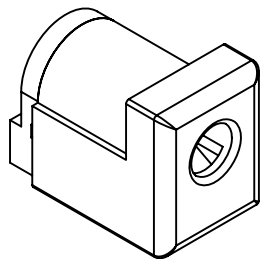


RoHS
Compatible

△				
△				
△				
△				
ZONE	REV	DESCRIPTION	DATE	APPD.



PCB LAYOUT
(BOTTOM VIEW)



DC MATE PLUG

MODEL NO.	DC-014-1
SCHEMATIC	
CENTER PIN	φ1mm
	φ1.3mm

* MATERIAL

- CENTRE PIN : COPPER
- TERMINAL 1 : BRASS
- TERMINAL 2 : COPPER ALLOY
- TERMINAL 3 : BRASS
- HOUSING : PBT
- COVER : PBT

達立科技股份有限公司

Dawning Precision Co., Ltd.

TEL: 886-2-82271388 FAX: 886-2-82272198

DESIGN	Will	SCALE			TOLERANCE UNLESS OTHERWISE STATED(mm)
DRAWING	Will	UNIT	mm		less than 10 — ±0.2
CHECK	Will	SIZE	A4: 210*297		10~30 — ±0.3
APPROVAL	Eric	VERSION	01		30~100 — ±0.5
					ANGIE — ±2'

PART NAME	DC POWER SOCKET
PART NO	DC-014-1
DRAWING NO	
DATE	2009/06/09

www.dawning2.com.tw